



SiFive FE310-G002 Manual

v19p04

© SiFive, Inc.

SiFive FE310-G002 Manual

Proprietary Notice

Copyright © 2019, SiFive Inc. All rights reserved.

Information in this document is provided “as is,” with all faults.

SiFive expressly disclaims all warranties, representations, and conditions of any kind, whether express or implied, including, but not limited to, the implied warranties or conditions of merchantability, fitness for a particular purpose and non-infringement.

SiFive does not assume any liability arising out of the application or use of any product or circuit, and specifically disclaims any and all liability, including without limitation indirect, incidental, special, exemplary, or consequential damages.

SiFive reserves the right to make changes without further notice to any products herein.

Release Information

Version	Date	Changes
v19p04	April 11, 2019	<ul style="list-style-type: none">• Initial release

Contents

1	Introduction	8
1.1	FE310-G002 Overview	8
1.2	E31 RISC-V Core	10
1.3	Interrupts	10
1.4	On-Chip Memory System	11
1.5	Always-On (AON) Block	11
1.6	GPIO Complex	11
1.7	Universal Asynchronous Receiver/Transmitter	11
1.8	Hardware Serial Peripheral Interface (SPI)	11
1.9	Pulse Width Modulation	12
1.10	I ² C	12
1.11	Debug Support	12
2	List of Abbreviations and Terms	13
3	E31 RISC-V Core	15
3.1	Instruction Memory System	15
3.1.1	I-Cache Reconfigurability	16
3.2	Instruction Fetch Unit	16
3.3	Execution Pipeline	16
3.4	Data Memory System	17
3.5	Atomic Memory Operations	17
3.6	Supported Modes	18
3.7	Physical Memory Protection (PMP)	18
3.7.1	Functional Description	18
3.7.2	Region Locking	18
3.8	Hardware Performance Monitor	19
4	Memory Map	21

5	Boot Process	23
5.1	Reset Vector.....	23
5.1.1	Mask ROM (MROM).....	24
5.1.2	One-Time Programmable (OTP) Memory	24
5.1.3	Quad SPI Flash Controller (QSPI).....	24
6	Clock Generation	25
6.1	Clock Generation Overview	25
6.2	PRCI Address Space Usage	26
6.3	Internal Trimmable Programmable 72 MHz Oscillator (HFROSC)	26
6.4	External 16 MHz Crystal Oscillator (HFXOSC).....	27
6.5	Internal High-Frequency PLL (HFPLL)	28
6.6	PLL Output Divider.....	30
6.7	Internal Programmable Low-Frequency Ring Oscillator (LFROSC)	31
6.8	Alternate Low-Frequency Clock (LFALTCLK).....	32
6.9	Clock Summary	32
7	Power Modes	33
7.1	Run Mode	33
7.2	Wait Mode.....	33
7.3	Sleep Mode.....	33
8	Interrupts	35
8.1	Interrupt Concepts	35
8.2	Interrupt Operation.....	36
8.2.1	Interrupt Entry and Exit	36
8.3	Interrupt Control Status Registers.....	37
8.3.1	Machine Status Register (mstatus)	37
8.3.2	Machine Trap Vector (mtvec).....	37
8.3.3	Machine Interrupt Enable (mie)	39
8.3.4	Machine Interrupt Pending (mip)	39
8.3.5	Machine Cause (mcause)	39
8.4	Interrupt Priorities	40

8.5	Interrupt Latency.....	41
9	Core-Local Interruptor (CLINT).....	42
9.1	CLINT Memory Map.....	42
9.2	MSIP Registers.....	42
9.3	Timer Registers	43
10	Platform-Level Interrupt Controller (PLIC).....	44
10.1	Memory Map	44
10.2	Interrupt Sources	45
10.3	Interrupt Priorities.....	46
10.4	Interrupt Pending Bits.....	46
10.5	Interrupt Enables.....	47
10.6	Priority Thresholds	48
10.7	Interrupt Claim Process	48
10.8	Interrupt Completion.....	49
11	Error Device	51
12	One-Time Programmable Memory (OTP) Peripheral.....	52
12.1	Memory Map	52
12.2	Programmed-I/O lock register (otp_lock).....	53
12.3	Programmed-I/O Sequencing.....	54
12.4	Read sequencer control register (otp_rsctrl).....	54
12.5	OTP Programming Warnings.....	54
12.6	OTP Programming Procedure	55
13	Always-On (AON) Domain	56
13.1	AON Power Source.....	57
13.2	AON Clocking	57
13.3	AON Reset Unit	57
13.4	Power-On Reset Circuit	57
13.5	External Reset Circuit.....	58
13.6	Reset Cause.....	58

13.7	Watchdog Timer (WDT)	58
13.8	Real-Time Clock (RTC).....	58
13.9	Backup Registers.....	58
13.10	Power-Management Unit (PMU)	58
13.11	AON Memory Map.....	58
14	Watchdog Timer (WDT)	61
14.1	Watchdog Count Register (wdogcount)	61
14.2	Watchdog Clock Selection	62
14.3	Watchdog Configuration Register (wdogcfg).....	62
14.4	Watchdog Compare Register (wdogcmp).....	63
14.5	Watchdog Key Register (wdogkey)	63
14.6	Watchdog Feed Address (wdogfeed).....	64
14.7	Watchdog Configuration	64
14.8	Watchdog Resets.....	64
14.9	Watchdog Interrupts (wdogip0)	64
15	Power-Management Unit (PMU).....	65
15.1	PMU Overview.....	66
15.2	Memory Map	66
15.3	PMU Key Register (pmukey).....	67
15.4	PMU Program.....	67
15.5	Initiate Sleep Sequence Register (pmusleep).....	68
15.6	Wakeup Signal Conditioning	68
15.7	PMU Interrupt Enables (pmuie) and Wakeup Cause (pmucause).....	69
16	Real-Time Clock (RTC)	71
16.1	RTC Count Registers (rtccounthi/rtccountlo).....	71
16.2	RTC Configuration Register (rtccfg)	72
16.3	RTC Compare Register (rtccmp)	72
17	General Purpose Input/Output Controller (GPIO)	74
17.1	GPIO Instance in FE310-G002.....	76

17.2	Memory Map	76
17.3	Input / Output Values	76
17.4	Interrupts.....	77
17.5	Internal Pull-Ups	77
17.6	Drive Strength.....	77
17.7	Output Inversion	77
17.8	HW I/O Functions (IOF)	77
18	Universal Asynchronous Receiver/Transmitter (UART)	79
18.1	UART Overview	79
18.2	UART Instances in FE310-G002.....	79
18.3	Memory Map	80
18.4	Transmit Data Register (txdata).....	80
18.5	Receive Data Register (rxdata).....	80
18.6	Transmit Control Register (txctrl)	81
18.7	Receive Control Register (rxctrl).....	81
18.8	Interrupt Registers (ip and ie)	82
18.9	Baud Rate Divisor Register (div).....	82
19	Serial Peripheral Interface (SPI)	84
19.1	SPI Overview.....	84
19.2	SPI Instances in FE310-G002	84
19.3	Memory Map	85
19.4	Serial Clock Divisor Register (sckdiv).....	86
19.5	Serial Clock Mode Register (sckmode).....	87
19.6	Chip Select ID Register (csid)	87
19.7	Chip Select Default Register (csdef)	88
19.8	Chip Select Mode Register (csmode).....	88
19.9	Delay Control Registers (delay0 and delay1).....	89
19.10	Frame Format Register (fmt).....	89
19.11	Transmit Data Register (txdata)	90
19.12	Receive Data Register (rxdata).....	91
19.13	Transmit Watermark Register (txmark)	91

19.14	Receive Watermark Register (rxmark)	92
19.15	SPI Interrupt Registers (ie and ip)	92
19.16	SPI Flash Interface Control Register (fctrl)	93
19.17	SPI Flash Instruction Format Register (ffmt)	93
20	Pulse Width Modulator (PWM)	94
20.1	PWM Overview	94
20.2	PWM Instances in FE310-G002	95
20.3	PWM Memory Map	95
20.4	PWM Count Register (pwmcount)	96
20.5	PWM Configuration Register (pwmcfg)	97
20.6	Scaled PWM Count Register (pwms)	98
20.7	PWM Compare Registers (pwmcmp0–pwmcmp3)	98
20.8	Deglitch and Sticky Circuitry	99
20.9	Generating Left- or Right-Aligned PWM Waveforms	100
20.10	Generating Center-Aligned (Phase-Correct) PWM Waveforms	100
20.11	Generating Arbitrary PWM Waveforms using Ganging	101
20.12	Generating One-Shot Waveforms	102
20.13	PWM Interrupts	102
21	Inter-Integrated Circuit (I²C) Master Interface	103
21.1	I ² C Instance in FE310-G002	103
22	Debug	104
22.1	Debug CSRs	104
22.1.1	Trace and Debug Register Select (tselect)	104
22.1.2	Trace and Debug Data Registers (tdata1-3)	105
22.1.3	Debug Control and Status Register (dcsr)	106
22.1.4	Debug PC dpc	106
22.1.5	Debug Scratch dscratch	106
22.2	Breakpoints	106
22.2.1	Breakpoint Match Control Register mcontrol	106
22.2.2	Breakpoint Match Address Register (maddress)	108

22.2.3	Breakpoint Execution	108
22.2.4	Sharing Breakpoints Between Debug and Machine Mode	109
22.3	Debug Memory Map.....	109
22.3.1	Debug RAM and Program Buffer (0x300–0x3FF)	109
22.3.2	Debug ROM (0x800–0xFFF)	109
22.3.3	Debug Flags (0x100–0x110, 0x400–0x7FF)	110
22.3.4	Safe Zero Address.....	110
23	Debug Interface	111
23.1	JTAG TAPC State Machine	111
23.2	Resetting JTAG Logic.....	112
23.3	JTAG Clocking	112
23.4	JTAG Standard Instructions	113
23.5	JTAG Debug Commands	113
24	References	114

Chapter 1

Introduction

The FE310-G002 is the second revision of the General Purpose Freedom E300 family.

The FE310-G002 is built around the E31 Core Complex instantiated in the Freedom E300 platform and fabricated in the TSMC CL018G 180nm process. This manual serves as an architectural reference and integration guide for the FE310-G002.

The FE310-G002 is compatible with all applicable RISC-V standards, and this document should be read together with the official RISC-V user-level, privileged, and external debug architecture specifications.

1.1 FE310-G002 Overview

Figure 1 shows the overall block diagram of the FE310-G002.

A feature summary table can be found in Table 1.

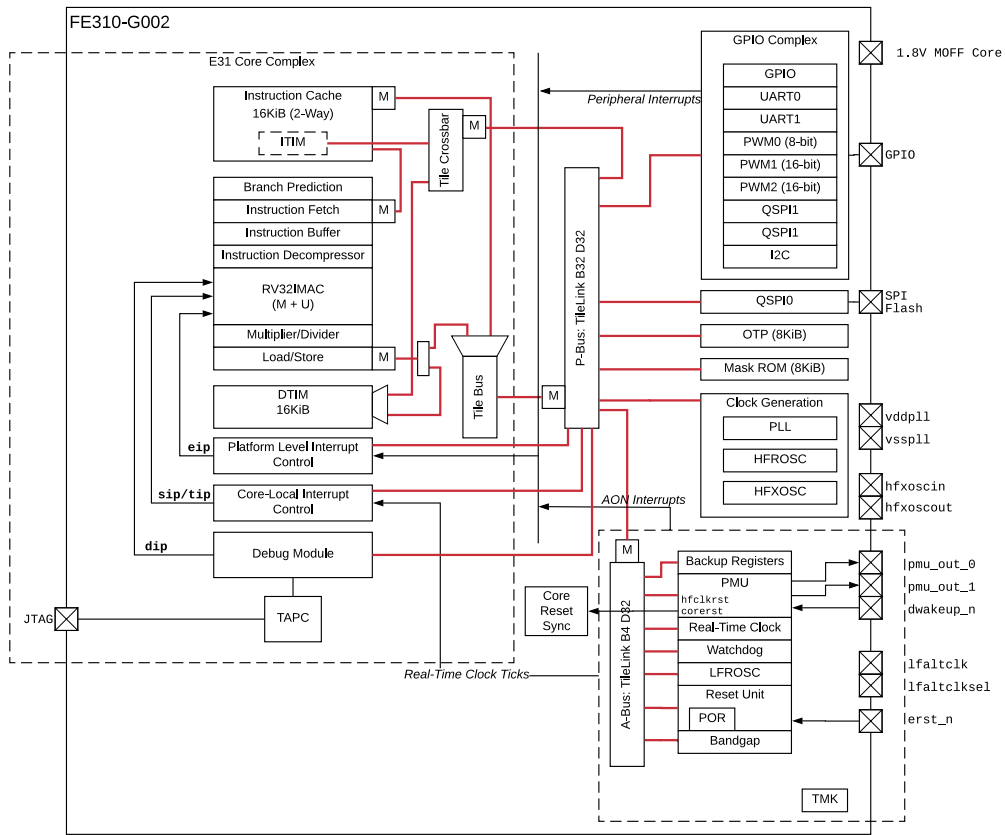


Figure 1: FE310-G002 top-level block diagram.

Feature	Description	Available in QFN48
RISC-V Core	1× E31 RISC-V cores with machine and user mode, 16 KiB 2-way L1 I-cache, and 16 KiB data tightly integrated memory (DTIM).	✓
Interrupts	Software and timer interrupts, 52 peripheral interrupts connected to the PLIC with 7 levels of priority.	✓
UART 0	Universal Asynchronous/Synchronous Transmitters for serial communication.	✓
UART 1	Universal Asynchronous/Synchronous Transmitters for serial communication.	✓
QSPI 0	Serial Peripheral Interface. QSPI 0 has 1 chip select signal.	✓ (4 DQ lines)
SPI 1	Serial Peripheral Interface. SPI 1 has 4 chip select signals.	✓ (3 CS lines) (2 DQ lines)
SPI 2	Serial Peripheral Interface. SPI 2 has 1 chip select signal.	
PWM 0	8-bit Pulse-width modulator with 4 comparators.	✓
PWM 1	16-bit Pulse-width modulator with 4 comparators.	✓
PWM 2	16-bit Pulse-width modulator with 4 comparators.	✓
I ² C 0	Inter-Integrated Circuit (I ² C) controller.	✓
GPIO	32 General Purpose I/O pins.	✓
Always On Domain	Supports low-power operation and wakeup.	✓

Table 1: FE310-G002 Feature Summary.

1.2 E31 RISC-V Core

The FE310-G002 includes a 32-bit E31 RISC-V core, which has a high-performance single-issue in-order execution pipeline, with a peak sustainable execution rate of one instruction per clock cycle. The E31 core supports Machine and User privilege modes as well as standard Multiply, Atomic, and Compressed RISC-V extensions (RV32IMAC).

The core is described in more detail in Chapter 3.

1.3 Interrupts

The FE310-G002 includes a RISC-V standard platform-level interrupt controller (PLIC), which supports 52 global interrupts with 7 priority levels. The FE310-G002 also provides the standard RISC-V machine-mode timer and software interrupts via the Core-Local Interruptor (CLINT).

Interrupts are described in Chapter 8. The CLINT is described in Chapter 9. The PLIC is described in Chapter 10.

1.4 On-Chip Memory System

The E31 core has a(n) 2-way set-associative 16 KiB L1 instruction cache and a(n) 16 KiB L1 DTIM.

All cores have Physical Memory Protection (PMP) units.

The Level 1 memories are described in Chapter 3. The PMP is described in Section 3.7.

1.5 Always-On (AON) Block

The AON block contains the reset logic for the chip, an on-chip low-frequency oscillator, a watchdog timer, connections for an off-chip low-frequency oscillator, the real-time clock, a programmable power-management unit, and 32×32-bit backup registers that retain state while the rest of the chip is in a low-power mode.

The AON can be instructed to put the system to sleep. The AON can be programmed to exit sleep mode on a real-time clock interrupt or when the external digital wakeup pin, `dwakeup_n`, is pulled low. The `dwakeup_n` input supports wired-OR connections of multiple wakeup sources.

The Always-On block is described in Chapter 13.

1.6 GPIO Complex

The GPIO complex manages the connection of digital I/O pads to digital peripherals, including SPI, UART, I²C, and PWM controllers, as well as for regular programmed I/O operations.

The GPIO complex is described in more detail in Chapter 17.

1.7 Universal Asynchronous Receiver/Transmitter

Multiple universal asynchronous receiver/transmitter (UARTs) are available and provide a means for serial communication between the FE310-G002 and off-chip devices.

The UART peripherals are described in Chapter 18.

1.8 Hardware Serial Peripheral Interface (SPI)

There are 3 serial peripheral interface (SPI) controllers. Each controller provides a means for serial communication between the FE310-G002 and off-chip devices, like quad-SPI Flash memory. Each controller supports master-only operation over single-lane, dual-lane, and quad-lane protocols. Each controller supports burst reads of 32 bytes over TileLink to accelerate instruction cache refills. 1 SPI controller can be programmed to support eXecute-In-Place (XIP) modes to reduce SPI command overhead on instruction cache refills.

The SPI interface is described in more detail in Chapter 19.

1.9 Pulse Width Modulation

The pulse width modulation (PWM) peripheral can generate multiple types of waveforms on GPIO output pins and can also be used to generate several forms of internal timer interrupt.

The PWM peripherals are described in Chapter 20.

1.10 I²C

The FE310-G002 has an I²C controller to communicate with external I²C devices, such as sensors, ADCs, etc.

The I²C is described in detail in Chapter 21.

1.11 Debug Support

The FE310-G002 provides external debugger support over an industry-standard JTAG port, including 8 hardware-programmable breakpoints per hart.

Debug support is described in detail in Chapter 22, and the debug interface is described in Chapter 23.

Chapter 2

List of Abbreviations and Terms

Term	Definition
BHT	Branch History Table
BTB	Branch Target Buffer
RAS	Return-Address Stack
CLINT	Core-Local Interruptor. Generates per-hart software interrupts and timer interrupts.
CLIC	Core-Local Interrupt Controller. Configures priorities and levels for core local interrupts.
hart	HARdware Thread
DTIM	Data Tightly Integrated Memory
ITIM	Instruction Tightly Integrated Memory
JTAG	Joint Test Action Group
LIM	Loosely Integrated Memory. Used to describe memory space delivered in a SiFive Core Complex but not tightly integrated to a CPU core.
PMP	Physical Memory Protection
PLIC	Platform-Level Interrupt Controller. The global interrupt controller in a RISC-V system.
TileLink	A free and open interconnect standard originally developed at UC Berkeley.
RO	Used to describe a Read Only register field.
RW	Used to describe a Read/Write register field.
WO	Used to describe a Write Only registers field.
WARL	Write-Any Read-Legal field. A register field that can be written with any value, but returns only supported values when read.
WIRI	Writes-Ignored, Reads-Ignore field. A read-only register field reserved for future use. Writes to the field are ignored, and reads should ignore the value returned.
WLRL	Write-Legal, Read-Legal field. A register field that should only be written with legal values and that only returns legal value if last written with a legal value.
WPRI	Writes-Preserve Reads-Ignore field. A register field that might contain unknown information. Reads should ignore the value returned, but writes to the whole register should preserve the original value.

Chapter 3

E31 RISC-V Core

This chapter describes the 32-bit E31 RISC-V processor core used in the FE310-G002. The E31 processor core comprises an instruction memory system, an instruction fetch unit, an execution pipeline, a data memory system, and support for global, software, and timer interrupts.

The E31 feature set is summarized in Table 2.

Feature	Description
ISA	RV32IMAC.
Instruction Cache	16 KiB 2-way instruction cache.
Instruction Tightly Integrated Memory	The E31 has support for an ITIM with a maximum size of 8 KiB.
Data Tightly Integrated Memory	16 KiB DTIM.
Modes	The E31 supports the following modes: Machine Mode, User Mode.

Table 2: E31 Feature Set

3.1 Instruction Memory System

The instruction memory system consists of a dedicated 16 KiB 2-way set-associative instruction cache. The access latency of all blocks in the instruction memory system is one clock cycle. The instruction cache is not kept coherent with the rest of the platform memory system. Writes to instruction memory must be synchronized with the instruction fetch stream by executing a FENCE.I instruction.

The instruction cache has a line size of 32 bytes, and a cache line fill triggers a burst access. The core caches instructions from executable addresses, with the exception of the Instruction Tightly Integrated Memory (ITIM), which is further described in Section 3.1.1. See the FE310-G002 Memory Map in Chapter 4 for a description of executable address regions that are denoted by the attribute X.

Trying to execute an instruction from a non-executable address results in a synchronous trap.

3.1.1 I-Cache Reconfigurability

The instruction cache can be partially reconfigured into ITIM, which occupies a fixed address range in the memory map. ITIM provides high-performance, predictable instruction delivery. Fetching an instruction from ITIM is as fast as an instruction-cache hit, with no possibility of a cache miss. ITIM can hold data as well as instructions, though loads and stores from a core to its ITIM are not as performant as loads and stores to its Data Tightly Integrated Memory (DTIM).

The instruction cache can be configured as ITIM for all ways except for 1 in units of cache lines (32 bytes). A single instruction cache way must remain an instruction cache. ITIM is allocated simply by storing to it. A store to the n^{th} byte of the ITIM memory map reallocates the first $n+1$ bytes of instruction cache as ITIM, rounded up to the next cache line.

ITIM is deallocated by storing zero to the first byte after the ITIM region, that is, 8 KiB after the base address of ITIM as indicated in the Memory Map in Chapter 4. The deallocated ITIM space is automatically returned to the instruction cache.

For determinism, software must clear the contents of ITIM after allocating it. It is unpredictable whether ITIM contents are preserved between deallocation and allocation.

3.2 Instruction Fetch Unit

The E31 instruction fetch unit contains branch prediction hardware to improve performance of the processor core. The branch predictor comprises a 28-entry branch target buffer (BTB) which predicts the target of taken branches, a 512-entry branch history table (BHT), which predicts the direction of conditional branches, and a 6-entry return-address stack (RAS) which predicts the target of procedure returns. The branch predictor has a one-cycle latency, so that correctly predicted control-flow instructions result in no penalty. Mispredicted control-flow instructions incur a three-cycle penalty.

The E31 implements the standard Compressed (C) extension to the RISC-V architecture, which allows for 16-bit RISC-V instructions.

3.3 Execution Pipeline

The E31 execution unit is a single-issue, in-order pipeline. The pipeline comprises five stages: instruction fetch, instruction decode and register fetch, execute, data memory access, and register writeback.

The pipeline has a peak execution rate of one instruction per clock cycle, and is fully bypassed so that most instructions have a one-cycle result latency. There are several exceptions:

- LW has a two-cycle result latency, assuming a cache hit.
- LH, LHU, LB, and LBU have a three-cycle result latency, assuming a cache hit.
- CSR reads have a three-cycle result latency.

- MUL, MULH, MULHU, and MULHSU have a 5-cycle result latency.
- DIV, DIVU, REM, and REMU have between a 2-cycle and 33-cycle result latency, depending on the operand values.

The pipeline only interlocks on read-after-write and write-after-write hazards, so instructions may be scheduled to avoid stalls.

The E31 implements the standard Multiply (M) extension to the RISC-V architecture for integer multiplication and division. The E31 has a 8-bit per cycle hardware multiply and a 1-bit per cycle hardware divide. The multiplier can only execute one operation at a time and will block until the previous operation completes.

The hart will not abandon a Divide instruction in flight. This means if an interrupt handler tries to use a register that is the destination register of a divide instruction the pipeline stalls until the divide is complete.

Branch and jump instructions transfer control from the memory access pipeline stage. Correctly-predicted branches and jumps incur no penalty, whereas mispredicted branches and jumps incur a three-cycle penalty.

Most CSR writes result in a pipeline flush with a five-cycle penalty.

3.4 Data Memory System

The E31 data memory system consists of a DTIM. The access latency from a core to its own DTIM is two clock cycles for full words and three clock cycles for smaller quantities. Misaligned accesses are not supported in hardware and result in a trap to allow software emulation.

Stores are pipelined and commit on cycles where the data memory system is otherwise idle. Loads to addresses currently in the store pipeline result in a five-cycle penalty.

3.5 Atomic Memory Operations

The E31 core supports the RISC-V standard Atomic (A) extension on the DTIM and the peripheral memory region. Atomic memory operations to regions that do not support them generate an access exception precisely at the core.

The load-reserved and store-conditional instructions are only supported on cached regions, hence generate an access exception on DTIM and other uncached memory regions.

See *The RISC-V Instruction Set Manual, Volume I: User-Level ISA, Version 2.1* for more information on the instructions added by this extension.

3.6 Supported Modes

The E31 supports RISC-V user mode, providing two levels of privilege: machine (M) and user (U). U-mode provides a mechanism to isolate application processes from each other and from trusted code running in M-mode.

See *The RISC-V Instruction Set Manual, Volume II: Privileged Architecture, Version 1.10* for more information on the privilege modes.

3.7 Physical Memory Protection (PMP)

The E31 includes a Physical Memory Protection (PMP) unit compliant with *The RISC-V Instruction Set Manual, Volume II: Privileged Architecture, Version 1.10*. PMP can be used to set memory access privileges (read, write, execute) for specified memory regions. The E31 PMP supports 8 regions with a minimum region size of 4 bytes.

This section describes how PMP concepts in the RISC-V architecture apply to the E31. The definitive resource for information about the RISC-V PMP is *The RISC-V Instruction Set Manual, Volume II: Privileged Architecture, Version 1.10*.

3.7.1 Functional Description

The E31 includes a PMP unit, which can be used to restrict access to memory and isolate processes from each other.

The E31 PMP unit has 8 regions and a minimum granularity of 4 bytes. Overlapping regions are permitted. The E31 PMP unit implements the architecturally defined `pmpcfgX` CSRs `pmpcfg0` and `pmpcfg1` supporting 8 regions. `pmpcfg2` and `pmpcfg3` are implemented but hardwired to zero.

The PMP registers may only be programmed in M-mode. Ordinarily, the PMP unit enforces permissions on U-mode accesses. However, locked regions (see Section 3.7.2) additionally enforce their permissions on M-mode.

3.7.2 Region Locking

The PMP allows for region locking whereby, once a region is locked, further writes to the configuration and address registers are ignored. Locked PMP entries may only be unlocked with a system reset. A region may be locked by setting the L bit in the `pmpicfg` register.

In addition to locking the PMP entry, the L bit indicates whether the R/W/X permissions are enforced on M-Mode accesses. When the L bit is clear, the R/W/X permissions apply only to U-mode.

3.8 Hardware Performance Monitor

The FE310-G002 supports a basic hardware performance monitoring facility compliant with *The RISC-V Instruction Set Manual, Volume II: Privileged Architecture, Version 1.10*. The `mcycle` CSR holds a count of the number of clock cycles the hart has executed since some arbitrary time in the past. The `minstret` CSR holds a count of the number of instructions the hart has retired since some arbitrary time in the past. Both are 64-bit counters. The `mcycle` and `minstret` CSRs hold the 32 least-significant bits of the corresponding counter, and the `mcycleh` and `minstreth` CSRs hold the most-significant 32 bits.

The hardware performance monitor includes two additional event counters, `mhpmcounter3` and `mhpmcounter4`. The event selector CSRs `mhpmevent3` and `mhpmevent4` are registers that control which event causes the corresponding counter to increment. The `mhpmcounters` are 40-bit counters. The `mhpmcounter_i` CSR holds the 32 least-significant bits of the corresponding counter, and the `mhpmcounter_ih` CSR holds the 8 most-significant bits.

The event selectors are partitioned into two fields, as shown in Table 3: the lower 8 bits select an event class, and the upper bits form a mask of events in that class. The counter increments if the event corresponding to any set mask bit occurs. For example, if `mhpmevent3` is set to `0x4200`, then `mhpmcounter3` will increment when either a load instruction or a conditional branch instruction retires. An event selector of 0 means "count nothing."

Note that in-flight and recently retired instructions may or may not be reflected when reading or writing the performance counters or writing the event selectors.

Machine Hardware Performance Monitor Event Register	
Instruction Commit Events, mhpeventX[7:0] = 0	
Bits	Meaning
8	Exception taken
9	Integer load instruction retired
10	Integer store instruction retired
11	Atomic memory operation retired
12	System instruction retired
13	Integer arithmetic instruction retired
14	Conditional branch retired
15	JAL instruction retired
16	JALR instruction retired
17	Integer multiplication instruction retired
18	Integer division instruction retired
Microarchitectural Events , mhpeventX[7:0] = 1	
Bits	Meaning
8	Load-use interlock
9	Long-latency interlock
10	CSR read interlock
11	Instruction cache/ITIM busy
12	Data cache/DTIM busy
13	Branch direction misprediction
14	Branch/jump target misprediction
15	Pipeline flush from CSR write
16	Pipeline flush from other event
17	Integer multiplication interlock
Memory System Events, mhpeventX[7:0] = 2	
Bits	Meaning
8	Instruction cache miss
9	Memory-mapped I/O access

Table 3: mhpevent Register Description

Chapter 4

Memory Map

The memory map of the FE310-G002 is shown in Table 4.

Base	Top	Attr.	Description	Notes
0x0000_0000	0x0000_0FFF	RWX A	Debug	Debug Address Space
0x0000_1000	0x0000_1FFF	R XC	Mode Select	On-Chip Non Volatile Mem- ory
0x0000_2000	0x0000_2FFF		Reserved	
0x0000_3000	0x0000_3FFF	RWX A	Error Device	
0x0000_4000	0x0000_FFFF		Reserved	
0x0001_0000	0x0001_1FFF	R XC	Mask ROM (8 KiB)	
0x0001_2000	0x0001_FFFF		Reserved	
0x0002_0000	0x0002_1FFF	R XC	OTP Memory Region	
0x0002_2000	0x001F_FFFF		Reserved	
0x0200_0000	0x0200_FFFF	RW A	CLINT	
0x0201_0000	0x07FF_FFFF		Reserved	
0x0800_0000	0x0800_1FFF	RWX A	E31 ITIM (8 KiB)	On-Chip Peripherals
0x0800_2000	0x0BFF_FFFF		Reserved	
0x0C00_0000	0x0FFF_FFFF	RW A	PLIC	
0x1000_0000	0x1000_0FFF	RW A	AON	
0x1000_1000	0x1000_7FFF		Reserved	
0x1000_8000	0x1000_8FFF	RW A	PRCI	
0x1000_9000	0x1000_FFFF		Reserved	
0x1001_0000	0x1001_0FFF	RW A	OTP Control	
0x1001_1000	0x1001_1FFF		Reserved	
0x1001_2000	0x1001_2FFF	RW A	GPIO	
0x1001_3000	0x1001_3FFF	RW A	UART 0	
0x1001_4000	0x1001_4FFF	RW A	QSPI 0	
0x1001_5000	0x1001_5FFF	RW A	PWM 0	
0x1001_6000	0x1001_6FFF	RW A	I2C 0	
0x1001_7000	0x1002_2FFF		Reserved	
0x1002_3000	0x1002_3FFF	RW A	UART 1	
0x1002_4000	0x1002_4FFF	RW A	SPI 1	
0x1002_5000	0x1002_5FFF	RW A	PWM 1	
0x1002_6000	0x1003_3FFF		Reserved	
0x1003_4000	0x1003_4FFF	RW A	SPI 2	
0x1003_5000	0x1003_5FFF	RW A	PWM 2	
0x1003_6000	0x1FFF_FFFF		Reserved	
0x2000_0000	0x3FFF_FFFF	R XC	QSPI 0 Flash (512 MiB)	Off-Chip Non-Volatile Mem- ory
0x4000_0000	0x7FFF_FFFF		Reserved	
0x8000_0000	0x8000_3FFF	RWX A	E31 DTIM (16 KiB)	On-Chip Volatile Memory
0x8000_4000	0xFFFF_FFFF		Reserved	

Table 4: FE310-G002 Memory Map. Memory Attributes: **R** - Read, **W** - Write, **X** - Execute, **C** - Cacheable, **A** - Atomics

Chapter 5

Boot Process

The FE310-G002 supports booting from several sources, which are controlled using the Mode Select (MSEL[1:0]) pins on the chip. All possible values are enumerated in Table 5.

MSEL	Purpose
00	loops forever waiting for debugger
01	jump directly to 0x2000_0000 (memory-mapped QSPI0)
10	jump directly to 0x0002_0000 (OTP)
11	jump directly to 0x0001_0000 (Mask ROM: Default Boot Mode)

Table 5: Boot media based on MSEL pins

5.1 Reset Vector

On power-on, the core's reset vector is 0x1004.

Address	Contents
0x1000	The MSEL pin state
0x1004	auipc t0, 0
0x1008	lw t1, -4(t0)
0x100C	slli t1, t1, 0x3
0x1010	add t0, t0, t1
0x1014	lw t0, 252(t0)
0x1018	jr t0

Table 6: Reset vector ROM

This small gate ROM implements an MSEL-dependent jump for all cores as follows:

MSEL	Reset address	Purpose
00	0x0000_1004	loops forever waiting for debugger
01	0x2000_0000	memory-mapped QSPI0
10	0x0002_0000	memory-mapped OTP
11	0x0001_0000	memory-mapped Mask ROM (jumps to OTP)

Table 7: Target of the reset vector

5.1.1 Mask ROM (MROM)

MROM is fixed at design time, and is located on the peripheral bus on FE310-G002, but instructions fetched from MROM are cached by the core's I-cache. The MROM contains an instruction at address 0x1_0000 which jumps to the OTP start address at 0x2_0000.

5.1.2 One-Time Programmable (OTP) Memory

The OTP is located on the peripheral bus, with both a control register interface to program the OTP, and a memory read port interface to fetch words from the OTP. Instruction fetches from the OTP memory read port are cached in the E31 core's instruction cache.

The OTP needs to be programmed before use and can only be programmed by code running on the core. The OTP bits contain all 0s prior to programming.

5.1.3 Quad SPI Flash Controller (QSPI)

The dedicated QSPI flash controller connects to external SPI flash devices that are used for execute-in-place code. SPI flash is not available in certain scenarios such as package testing or board designs not using SPI flash (e.g., just using on-chip OTP).

Off-chip SPI devices can vary in number of supported I/O bits (1, 2, or 4). SPI flash bits contain all 1s prior to programming.

lator or an off-chip crystal oscillator. The off-chip oscillator can also drive the high-frequency clock directly.

For the FE310-G002, the TileLink bus clock (`tlclk`) is fixed to be the same as the processor core clock (`coreclk`).

The Always-On block includes a real-time clock circuit that is driven from one of the low-frequency clock sources: an off-chip oscillator (LFOSC) or an on-chip low-frequency oscillator (LFROSC).

6.2 PRCI Address Space Usage

PRCI (Power, Reset, Clock, Interrupt) is an umbrella term for platform non-AON memory-mapped control and status registers controlling component power states, resets, clock selection, and low-level interrupts, hence the name. The PRCI registers are generally only made visible to machine-mode software. The AON block contains registers with similar functions, but only for the AON block units.

Table 8 shows the memory map for the PRCI on the FE310-G002.

Offset	Name	Description
0x00	hfroscfg	Ring Oscillator Configuration and Status
0x04	hfxoscfg	Crystal Oscillator Configuration and Status
0x08	pllcfg	PLL Configuration and Status
0x0C	plloutdiv	PLL Final Divide Configuration
0xF0	procmoncfg	Process Monitor Configuration and Status

Table 8: SiFive PRCI memory map, offsets relative to PRCI base address.

6.3 Internal Trimmable Programmable 72 MHz Oscillator (HFROSC)

An internal trimmable high-frequency ring oscillator (HFROSC) is used to provide the default clock after reset, and can be used to allow operation without an external high-frequency crystal or the PLL.

The oscillator is controlled by the `hfroscfg` register, which is memory-mapped in the PRCI address space, and whose format is shown in Table 9.

hfroscfg: Ring Oscillator Configuration and Status (hfroscfg)				
Register Offset		0x0		
Bits	Field Name	Attr.	Rst.	Description
[5:0]	hfrosdiv	RW	0x4	Ring Oscillator Divider Register
[15:6]	Reserved			
[20:16]	hfrosctrim	RW	0x10	Ring Oscillator Trim Register
[29:21]	Reserved			
30	hfroscten	RW	0x1	Ring Oscillator Enable
31	hfrosctrdy	R0	X	Ring Oscillator Ready

Table 9: hfroscfg: Ring Oscillator Configuration and Status

The frequency can be adjusted in software using a 5-bit trim value in the `hfrosctrim`. The trim value (from 0–31) adjusts which tap of the variable delay chain is fed back to the start of the ring. A value of 0 corresponds to the longest chain and slowest frequency, while higher values correspond to shorter chains and therefore higher frequencies.

The HFROSC oscillator output frequency can be divided by an integer between 1 and 64 giving a frequency range of 1.125 MHz–72 MHz assuming the trim value is set to give a 72 MHz output. The value of the divider is given in the `hfrosdiv` field, where the divide ratio is one greater than the binary value held in the field (i.e., `hfrosdiv=0` indicates divide by 1, `hfrosdiv=1` indicates divide by 2, etc.). The value of the divider can be changed at any time.

The HFROSC is the default clock source used for the system core at reset. After a reset, the `hfrosctrim` value is reset to 16, the middle of the adjustable range, and the divider is reset to divide-by-5 (`hfrosdiv=4`), which gives a nominal 13.8 MHz ($\pm 50\%$) output frequency.

The value of `hfrosctrim` that most closely achieves an 72 MHz clock output at nominal conditions (1.8 V at 25 °C) is determined by manufacturing-time calibration and is stored in on-chip OTP storage. Upon reset, software in the processor boot sequence can write the calibrated value into the `hfrosctrim` field, but the value can be altered at any time during operation including when the processor is running from HFROSC.

To save power, the HFROSC can be disabled by clearing `hfroscten`. The processor must be running from a different clock source (the PLL, external crystal, or external clock) before disabling HFROSC. HFROSC can be explicitly re-enabled by setting `hfroscten`. HFROSC will be automatically re-enabled at every reset.

The status bit `hfrosctrdy` indicates if the oscillator is operational and ready for use as a clock source.

6.4 External 16 MHz Crystal Oscillator (HFXOSC)

An external high-frequency 16 MHz crystal oscillator can be used to provide a precise clock source. The crystal oscillator should have a capacitive load of ≤ 12 pF and an ESR $\leq 80 \Omega$.

When used to drive the PLL, the 16 MHz crystal oscillator output frequency must be divided by two in the first-stage divider of the PLL (i.e., $R = 2$) to provide an 8 MHz reference clock to the VCO.

The input pad of the HFXOSC can also be used to supply an external clock source, in which case, the output pad should be left unconnected.

The HFXOSC input can be used to generate `hfc1k` directly if the PLL is set to bypass.

The HFXOSC is controlled via the memory-mapped `hfxosccfg` register.

hfxosccfg: Crystal Oscillator Configuration and Status (hfxosccfg)				
Register Offset		0x4		
Bits	Field Name	Attr.	Rst.	Description
[29:0]	Reserved			
30	<code>hfxoscen</code>	RW	0x1	Crystal Oscillator Enable
31	<code>hfxoscrdy</code>	RO	X	Crystal Oscillator Ready

Table 10: `hfxosccfg`: Crystal Oscillator Configuration and Status

The `hfxoscen` bit turns on the crystal driver and is set on wakeup reset, but can be cleared to turn off the crystal driver and reduce power consumption. The `hfxoscrdy` bit indicates if the crystal oscillator output is ready for use.

The `hfxoscen` bit must also be turned on to use the HFXOSC input pad to connect an external clock source.

6.5 Internal High-Frequency PLL (HFPLL)

The PLL generates a high-frequency clock by multiplying a mid-frequency reference source clock, either the HFROSC or the HFXOSC. The input frequency to the PLL can be in the range 6–48 MHz. The PLL can generate output clock frequencies in the range 48–384 MHz.

The PLL is controlled by a memory-mapped read-write `p11cfg` register in the PRCI address space. The format of `p11cfg` is shown in Table 11.

pllcfg: PLL Configuration and Status (pllcfg)				
Register Offset		0x8		
Bits	Field Name	Attr.	Rst.	Description
[2:0]	pll_r	RW	0x1	PLL R Value
3	Reserved			
[9:4]	pll_f	RW	0x1F	PLL F Value
[11:10]	pll_q	RW	0x3	PLL Q Value
[15:12]	Reserved			
16	pll_sel	RW	0x0	PLL Select
17	pll_refsel	RW	0x1	PLL Reference Select
18	pll_bypass	RW	0x1	PLL Bypass
[30:19]	Reserved			
31	pll_lock	RO	X	PLL Lock

Table 11: pllcfg: PLL Configuration and Status

Figure 3 shows how the PLL output frequency is set using a combination of three read-write fields: `pll_r[2:0]`, `pll_f[2:0]`, `pll_q[1:0]`. The frequency constraints must be observed between each stage for correct operation.

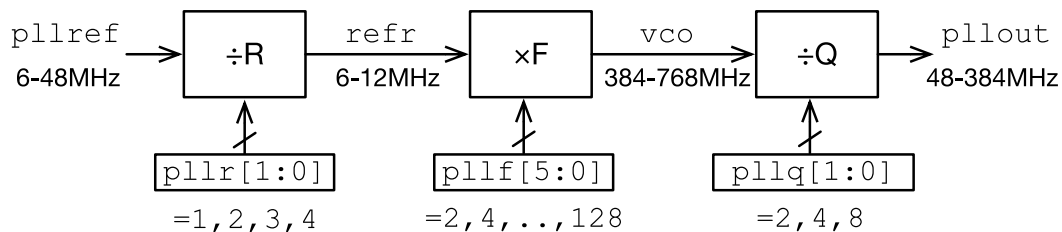


Figure 3: Controlling the FE310-G002 PLL output frequency.

The `pll_r[1:0]` field encodes the reference clock divide ratio as a 2-bit binary value, where the value is one less than the divide ratio (i.e., `00`=1, `11`=4). The frequency of the output of the reference divider (`refr`) must lie between 6–12 MHz.

The `pll_f[5:0]` field encodes the PLL VCO multiply ratio as a 6-bit binary value, N , signifying a divide ratio of $2 \times (N + 1)$ (i.e., `000000`=2, `111111`=128). The frequency of the VCO output (`vco`) must lie between 384–768 MHz. Table 12 summarizes the valid settings of the multiply ratio.

refr (MHz)	Legal p11f multiplier		vco frequency (MHz)	
	Min	Max	Min	Max
6	64	128	384	768
8	48	96	384	768
10	39	76	390	760
12	32	64	384	768

Table 12: Valid PLL multiply ratios. The multiplier setting in the table is given as the actual multiply ratio; the binary value stored in p11f field should be $(M/2) - 1$ for a multiply ratio M .

The p11q[1:0] field encodes the PLL output divide ratio as follows, 01=2, 10=4, 11=8. The value 00 is not supported. The final output of the PLL must have a frequency that lies between 48–384 MHz.

The one-bit read-write p11bypass field in the p11cfg register turns off the PLL when written with a 1 and then p11out is driven directly by the clock indicated by p11refsel. The other PLL registers can be configured when p11bypass is set. The agent that writes p11cfg should be running from a different clock source before disabling the PLL. The PLL is also disabled with p11bypass=1 after a wakeup reset.

The p11sel bit must be set to drive the final hfc1k with the PLL output, bypassed or otherwise. When p11sel is clear, the hfrosc1k directly drives hfc1k. The p11sel bit is clear on wakeup reset.

The p11cfg register is reset to: bypass and power off the PLL p11bypass=1; input driven from external HFXOSC oscillator p11refsel=1; PLL not driving system clock p11sel=0; and the PLL ratios are set to R=2, F=64, and Q=8 (p11r=01, p11f=011111, p11q=11).

The PLL provides a lock signal which is set when the PLL has achieved lock, and which can be read from the most-significant bit of the p11cfg register. The PLL requires up to 100 μ s to regain lock once enabled, and the lock signal will not necessarily be stable during this initial lock period so should only be interrogated after this period. The PLL may not achieve lock and the lock signal might not remain asserted if there is excessive jitter in the source clock.

The PLL requires dedicated 1.8 V power supply pads with a supply filter on the circuit board. The supply filter should be a 100 Ω resistor in series with the board 1.8 V supply decoupled with a 100 nF capacitor across the VDDPLL/VSSPLL supply pins. The VSSPLL pin should not be connected to board VSS.

6.6 PLL Output Divider

The p11outdiv register controls a clock divider that divides the output of the PLL.

plloutdiv: PLL Final Divide Configuration (plloutdiv)				
Register Offset		0xC		
Bits	Field Name	Attr.	Rst.	Description
[5:0]	plloutdiv	RW	0x0	PLL Final Divider Value
[7:6]	Reserved			
[13:8]	plloutdivby1	RW	0x1	PLL Final Divide By 1
[31:14]	Reserved			

Table 13: plloutdiv: PLL Final Divide Configuration

If the `plloutdivby1` bit is set, the PLL output clock is passed through undivided. If `plloutdivby1` is clear, the value N in `plloutdiv` sets the clock-divide ratio to $2 \times (N + 1)$ (between 2–128). The output divider expands the PLL output frequency range to 0.375–384 MHz.

The `plloutdivby1` register is reset to divide-by-1 (`plloutdivby1=1`).

6.7 Internal Programmable Low-Frequency Ring Oscillator (LFROSC)

A second programmable ring oscillator (LFROSC) is used to provide an internal low-frequency ≈ 32 kHz clock source. The LFROSC can generate frequencies in the range 1.5–230 kHz ($\pm 45\%$).

The `lfrosccfg` register lives in the AON block as shown in Table 36.

At power-on reset, the LFROSC resets to selecting the middle tap (`lfrosctrim=16`) and $\div 5$ (`lfroscdiv=4`), resulting in an output frequency of ≈ 30 kHz.

The LFROSC can be calibrated in software using a more accurate high-frequency clock source.

lfrosccfg: Ring Oscillator Configuration and Status (lfrosccfg)				
Register Offset		0x70		
Bits	Field Name	Attr.	Rst.	Description
[5:0]	lfroscdiv	RW	0x4	Ring Oscillator Divider Register
[15:6]	Reserved			
[20:16]	lfrosctrim	RW	0x10	Ring Oscillator Trim Register
[29:21]	Reserved			
30	lfrosccen	RW	0x1	Ring Oscillator Enable
31	lfrosccrdy	RO	X	Ring Oscillator Ready

Table 14: lfrosccfg: Ring Oscillator Configuration and Status

6.8 Alternate Low-Frequency Clock (LFALTCLK)

An external low-frequency clock can be driven on the `psd1faltclk` pad, when the `psd1faltclkssel` is tied low. This mux selection can also be controlled by software using the `lfextclk_sel` in `lfclkmux` shown in Table 15. The current value of the `psd1faltclkssel` pad can be read in `lfextclk_mux_status` field.

lfclkmux: Low-Frequency Clock Mux Control and Status (lfclkmux)				
Register Offset		0x7C		
Bits	Field Name	Attr.	Rst.	Description
0	<code>lfextclk_sel</code>	RW	0x0	Low Frequency Clock Source Selector
[30:1]	Reserved			
31	<code>lfextclk_mux_status</code>	RO	X	Setting of the <code>aon_lfclkssel</code> pin

Table 15: lfclkmux: Low-Frequency Clock Mux Control and Status

6.9 Clock Summary

Table 16 summarizes the major clocks on the FE310-G002 and their initial reset conditions. At external reset, the AON domain `lfclk` is clocked by either the LFROSC or `psd1faltclk`, as selected by `psd1faltclkssel`. At wakeup reset, the MOFF domain `hfclk` is clocked by the HFROSC.

Name	Reset Source	Frequency			Notes
		Reset	Min	Max	
AON Domain					
LFROSC	<code>lfroscrst</code>	32 kHz	1.5 kHz	230 kHz	±45%
<code>psd1faltclk</code>	-	-	0 kHz	500 kHz	When selected by <code>psd1faltclkssel</code>
MOFF Domain					
HFROSC	<code>hfclkcrst</code>	13.8 MHz	0.77 MHz	20 MHz	±45%
HFXOSC crystal	<code>hfclkcrst</code>	ON	10 MHz	20 MHz	16 MHz on HiFive
HFXOSC input	<code>hfclkcrst</code>	ON	0 MHz	20 MHz	External clock source
PLL	<code>hfclkcrst</code>	OFF	0.375 MHz	384 MHz	
JTAG TCK	-	OFF	0 MHz	16 MHz	

Table 16: FE310-G002 Clock Sources

Chapter 7

Power Modes

This chapter describes the different power modes available on the FE310-G002. The FE310-G002 supports three power modes: Run, Wait, and Sleep.

7.1 Run Mode

Run mode corresponds to regular execution where the processor is running. Power consumption can be adjusted by varying the clock frequency of the processor and peripheral bus, and by enabling or disabling individual peripheral blocks. The processor exits run mode by executing a "Wait for Interrupt" (WFI) instruction.

7.2 Wait Mode

When the processor executes a WFI instruction it enters Wait mode, which halts instruction execution and gates the clocks driving the processor pipeline. All state is preserved in the system. The processor will resume in Run mode when there is a local interrupt pending or when the PLIC sends an interrupt notification. The processor may also exit wait mode for other events, and software must check system status when exiting wait mode to determine the correct course of action.

7.3 Sleep Mode

Sleep mode is entered by writing to a memory-mapped register `pmusleep` in the power-management unit (PMU). The `pmusleep` register is protected by the `pmukey` register which must be written with a defined value before writing to `pmusleep`.

The PMU will then execute a power-down sequence to turn off power to the processor and main pads. All volatile state in the system is lost except for state held in the AON domain. The main output pads will be left floating.

Sleep mode is exited when an enabled wakeup event occurs, whereupon the PMU will initiate a wakeup sequence. The wakeup sequence turns on the core and pad power supplies while asserting reset on the clocks, core and pads. After the power supplies stabilize, the clock reset is deasserted to allow the clocks to stabilize. Once the clocks are stable, the pad and processor resets are deasserted, and the processor begins running from the reset vector.

Software must reinitialize the core and can interrogate the PMU `pmucause` register to determine the cause of reset, and can recover pre-sleep state from the backup registers. The processor always initially runs from the HFROSC at the default setting, and must reconfigure clocks to run from an alternate clock source (HFXOSC or PLL) or at a different setting on the HFROSC.

Because the FE310-G002 has no internal power regulator, the PMU's control of the power supplies is through chip outputs, `pmu_out_0` and `pmu_out_1`. The system integrator can use these outputs to enable and disable the power supplies connected to the FE310-G002.

Chapter 8

Interrupts

This chapter describes how interrupt concepts in the RISC-V architecture apply to the FE310-G002.

The definitive resource for information about the RISC-V interrupt architecture is *The RISC-V Instruction Set Manual, Volume II: Privileged Architecture, Version 1.10*.

8.1 Interrupt Concepts

The FE310-G002 supports Machine Mode interrupts. It also has support for the following types of RISC-V interrupts: local and global.

Local interrupts are signaled directly to an individual hart with a dedicated interrupt value. This allows for reduced interrupt latency as no arbitration is required to determine which hart will service a given request and no additional memory accesses are required to determine the cause of the interrupt.

Software and timer interrupts are local interrupts generated by the Core-Local Interruptor (CLINT). The FE310-G002 contains no other local interrupt sources.

Global interrupts, by contrast, are routed through a Platform-Level Interrupt Controller (PLIC), which can direct interrupts to any hart in the system via the external interrupt. Decoupling global interrupts from the hart(s) allows the design of the PLIC to be tailored to the platform, permitting a broad range of attributes like the number of interrupts and the prioritization and routing schemes.

This chapter describes the FE310-G002 interrupt architecture.

Chapter 9 describes the Core-Local Interruptor.

Chapter 10 describes the global interrupt architecture and the PLIC design.

The FE310-G002 interrupt architecture is depicted in Figure 4.

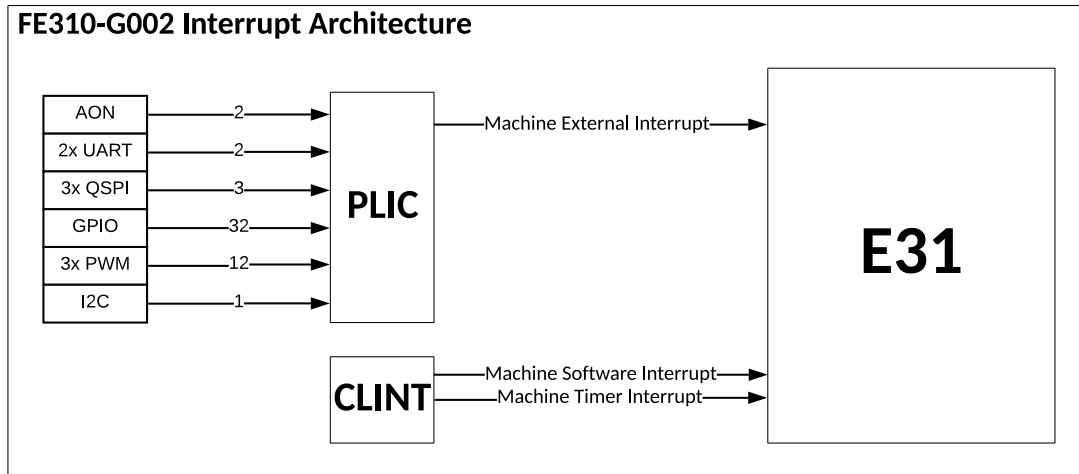


Figure 4: FE310-G002 Interrupt Architecture Block Diagram.

8.2 Interrupt Operation

If the global interrupt-enable `mstatus.MIE` is clear, then no interrupts will be taken. If `mstatus.MIE` is set, then pending-enabled interrupts at a higher interrupt level will preempt current execution and run the interrupt handler for the higher interrupt level.

When an interrupt or synchronous exception is taken, the privilege mode is modified to reflect the new privilege mode. **The global interrupt-enable bit of the handler's privilege mode is cleared.**



8.2.1 Interrupt Entry and Exit

When an interrupt occurs:

- The value of `mstatus.MIE` is copied into `mcause.MPIE`, and then `mstatus.MIE` is cleared, effectively disabling interrupts.
- The privilege mode prior to the interrupt is encoded in `mstatus.MPP`.
- The current `pc` is copied into the `mepc` register, and then `pc` is set to the value specified by `mtvec` as defined by the `mtvec.MODE` described in Table 19.

At this point, control is handed over to software in the interrupt handler with interrupts disabled. Interrupts can be re-enabled by explicitly setting `mstatus.MIE` or **by executing an MRET instruction to exit the handler.** When an MRET instruction is executed, the following occurs:

- The privilege mode is set to the value encoded in `mstatus.MPP`.
- The global interrupt enable, `mstatus.MIE`, is set to the value of `mcause.MPIE`.
- The `pc` is set to the value of `mepc`.

At this point control is handed over to software.

The Control and Status Registers involved in handling RISC-V interrupts are described in Section 8.3.

8.3 Interrupt Control Status Registers

The FE310-G002 specific implementation of interrupt CSRs is described below. For a complete description of RISC-V interrupt behavior and how to access CSRs, please consult *The RISC-V Instruction Set Manual, Volume II: Privileged Architecture, Version 1.10*.

8.3.1 Machine Status Register (mstatus)

The mstatus register keeps track of and controls the hart's current operating state, including whether or not interrupts are enabled. A summary of the mstatus fields related to interrupts in the FE310-G002 is provided in Table 17. Note that this is not a complete description of mstatus as it contains fields unrelated to interrupts. For the full description of mstatus, please consult the *The RISC-V Instruction Set Manual, Volume II: Privileged Architecture, Version 1.10*.

Machine Status Register			
CSR	mstatus		
Bits	Field Name	Attr.	Description
[2:0]	Reserved	WPRI	
3	MIE	RW	Machine Interrupt Enable
[6:4]	Reserved	WPRI	
7	MPIE	RW	Machine Previous Interrupt Enable
[10:8]	Reserved	WPRI	
[12:11]	MPP	RW	Machine Previous Privilege Mode

Table 17: FE310-G002 mstatus Register (partial)

Interrupts are enabled by setting the MIE bit in mstatus and by enabling the desired individual interrupt in the mie register, described in Section 8.3.3.

8.3.2 Machine Trap Vector (mtvec)

The mtvec register has two main functions: defining the base address of the trap vector, and setting the mode by which the FE310-G002 will process interrupts. The interrupt processing mode is defined in the lower two bits of the mtvec register as described in Table 19.

Machine Trap Vector Register			
CSR	mtvec		
Bits	Field Name	Attr.	Description
[1:0]	MODE	WARL	MODE Sets the interrupt processing mode. The encoding for the FE310-G002 supported modes is described in Table 19.
[31:2]	BASE[31:2]	WARL	Interrupt Vector Base Address. Requires 64-byte alignment.

Table 18: mtvec Register

MODE Field Encoding mtvec.MODE		
Value	Name	Description
0x0	Direct	All exceptions set pc to BASE
0x1	Vectored	Asynchronous interrupts set pc to BASE + 4 × mcause.EXCCODE.
≥ 2	Reserved	

Table 19: Encoding of mtvec.MODE

See Table 18 for a description of the mtvec register. See Table 19 for a description of the mtvec.MODE field. See Table 23 for the FE310-G002 interrupt exception code values.

Mode Direct

When operating in direct mode all synchronous exceptions and asynchronous interrupts trap to the mtvec.BASE address. Inside the trap handler, software must read the mcause register to determine what triggered the trap.

Mode Vectored

While operating in vectored mode, interrupts set the pc to mtvec.BASE + 4 × exception code. For example, if a machine timer interrupt is taken, the pc is set to mtvec.BASE + 0x1C. Typically, the trap vector table is populated with jump instructions to transfer control to interrupt-specific trap handlers.

In vectored interrupt mode, BASE must be 64-byte aligned.

All machine external interrupts (global interrupts) are mapped to exception code of 11. Thus, when interrupt vectoring is enabled, the pc is set to address mtvec.BASE + 0x2C for any global interrupt.

8.3.3 Machine Interrupt Enable (mie)

Individual interrupts are enabled by setting the appropriate bit in the mie register. The mie register is described in Table 20.

Machine Interrupt Enable Register			
CSR	mie		
Bits	Field Name	Attr.	Description
[2:0]	Reserved	WPRI	
3	MSIE	RW	Machine Software Interrupt Enable
[6:4]	Reserved	WPRI	
7	MTIE	RW	Machine Timer Interrupt Enable
[10:8]	Reserved	WPRI	
11	MEIE	RW	Machine External Interrupt Enable
[31:12]	Reserved	WPRI	

Table 20: mie Register

8.3.4 Machine Interrupt Pending (mip)

The machine interrupt pending (mip) register indicates which interrupts are currently pending. The mip register is described in Table 21.

Machine Interrupt Pending Register			
CSR	mip		
Bits	Field Name	Attr.	Description
[2:0]	Reserved	WIRI	
3	MSIP	RO	Machine Software Interrupt Pending
[6:4]	Reserved	WIRI	
7	MTIP	RO	Machine Timer Interrupt Pending
[10:8]	Reserved	WIRI	
11	MEIP	RO	Machine External Interrupt Pending
[31:12]	Reserved	WIRI	

Table 21: mip Register

8.3.5 Machine Cause (mcause)

When a trap is taken in machine mode, mcause is written with a code indicating the event that caused the trap. When the event that caused the trap is an interrupt, the most-significant bit of mcause is set to 1, and the least-significant bits indicate the interrupt number, using the same encoding as the bit positions in mip. For example, a Machine Timer Interrupt causes mcause to be set to 0x8000_0007. mcause is also used to indicate the cause of synchronous exceptions, in which case the most-significant bit of mcause is set to 0.

See Table 22 for more details about the mcause register. Refer to Table 23 for a list of synchronous exception codes.

Machine Cause Register			
CSR	mcause		
Bits	Field Name	Attr.	Description
[9:0]	Exception Code	WLRL	A code identifying the last exception.
[30:10]	Reserved	WLRL	
31	Interrupt	WARL	1 if the trap was caused by an interrupt; 0 otherwise.

Table 22: mcause Register

Interrupt Exception Codes		
Interrupt	Exception Code	Description
1	0–2	Reserved
1	3	Machine software interrupt
1	4–6	Reserved
1	7	Machine timer interrupt
1	8–10	Reserved
1	11	Machine external interrupt
1	≥ 12	Reserved
0	0	Instruction address misaligned
0	1	Instruction access fault
0	2	Illegal instruction
0	3	Breakpoint
0	4	Load address misaligned
0	5	Load access fault
0	6	Store/AMO address misaligned
0	7	Store/AMO access fault
0	8	Environment call from U-mode
0	9–10	Reserved
0	11	Environment call from M-mode
0	≥ 12	Reserved

Table 23: mcause Exception Codes

8.4 Interrupt Priorities

Individual priorities of global interrupts are determined by the PLIC, as discussed in Chapter 10.

FE310-G002 interrupts are prioritized as follows, in decreasing order of priority:

- Machine external interrupts
- Machine software interrupts
- Machine timer interrupts

8.5 Interrupt Latency

Interrupt latency for the FE310-G002 is 4 cycles, as counted by the numbers of cycles it takes from signaling of the interrupt to the hart to the first instruction fetch of the handler.

Global interrupts routed through the PLIC incur additional latency of 3 cycles where the PLIC is clocked by coreC1k. This means that the total latency, in cycles, for a global interrupt is: 4 + 3. This is a best case cycle count and assumes the handler is cached or located in ITIM. It does not take into account additional latency from a peripheral source.

Chapter 9

Core-Local Interruptor (CLINT)

The CLINT block holds memory-mapped control and status registers associated with software and timer interrupts. The FE310-G002 CLINT complies with *The RISC-V Instruction Set Manual, Volume II: Privileged Architecture, Version 1.10*.

9.1 CLINT Memory Map

Table 24 shows the memory map for CLINT on SiFive FE310-G002.

Address	Width	Attr.	Description	Notes
0x2000000	4B	RW	msip for hart 0	MSIP Registers (1 bit wide)
0x2004008			Reserved	
...				
0x200bff7				
0x2004000	8B	RW	mtimecmp for hart 0	MTIMECMP Registers
0x2004008			Reserved	
...				
0x200bff7				
0x200bff8	8B	RW	mtime	Timer Register
0x200c000			Reserved	

Table 24: CLINT Register Map

9.2 MSIP Registers

Machine-mode software interrupts are generated by writing to the memory-mapped control register `msip`. Each `msip` register is a 32-bit wide **WARL** register where the upper 31 bits are tied to 0. The least significant bit is reflected in the MSIP bit of the `mip` CSR. Other bits in the `msip` register are hardwired to zero. On reset, each `msip` register is cleared to zero.

Software interrupts are most useful for interprocessor communication in multi-hart systems, as harts may write each other's `msip` bits to effect interprocessor interrupts.

9.3 Timer Registers

`mtime` is a 64-bit read-write register that contains the number of cycles counted from the `rtcclk` input described in Chapter 13. A timer interrupt is pending whenever `mtime` is greater than or equal to the value in the `mtimecmp` register. The timer interrupt is reflected in the `mtip` bit of the `mip` register described in Chapter 8.

On reset, `mtime` is cleared to zero. The `mtimecmp` registers are not reset.

Chapter 10

Platform-Level Interrupt Controller (PLIC)

This chapter describes the operation of the platform-level interrupt controller (PLIC) on the FE310-G002. The PLIC complies with *The RISC-V Instruction Set Manual, Volume II: Privileged Architecture, Version 1.10* and supports 52 interrupt sources with 7 priority levels.

10.1 Memory Map

The memory map for the FE310-G002 PLIC control registers is shown in Table 25. The PLIC memory map has been designed to only require naturally aligned 32-bit memory accesses.

PLIC Register Map				
Address	Width	Attr.	Description	Notes
0x0C00_0000			Reserved	
0x0C00_0004	4B	RW	source 1 priority	See Section 10.3 for more information
...				
0x0C00_00D0	4B	RW	source 52 priority	See Section 10.3 for more information
0x0C00_00D4			Reserved	
...				
0x0C00_1000	4B	RO	Start of pending array	See Section 10.4 for more information
...				
0x0C00_1004	4B	RO	Last word of pending array	See Section 10.4 for more information
0x0C00_1008			Reserved	
...				
0x0C00_2000	4B	RW	Start Hart 0 M-Mode interrupt enables	See Section 10.5 for more information
...				
0x0C00_2004	4B	RW	End Hart 0 M-Mode interrupt enables	See Section 10.5 for more information
0x0C00_2008			Reserved	
...				
0x0C20_0000	4B	RW	Hart 0 M-Mode priority threshold	See Section 10.6 for more information
0x0C20_0004	4B	RW	Hart 0 M-Mode claim/complete	See Section 10.7 for more information
0x0C20_0008			Reserved	
...				
0x1000_0000			End of PLIC Memory Map	

Table 25: SiFive PLIC Register Map. Only naturally aligned 32-bit memory accesses are required.

10.2 Interrupt Sources

The FE310-G002 has 52 interrupt sources. These are driven by various on-chip devices as listed in Table 26. These signals are positive-level triggered.

In the PLIC, as specified in *The RISC-V Instruction Set Manual, Volume II: Privileged Architecture, Version 1.10*, Global Interrupt ID 0 is defined to mean "no interrupt."

Source Start	Source End	Source
1	1	AON Watchdog
2	2	AON RTC
3	3	UART0
4	4	UART1
5	5	QSPI0
6	6	SPI1
7	7	SPI2
8	39	GPIO
40	43	PWM0
44	47	PWM1
48	51	PWM2
52	52	I2C

Table 26: PLIC Interrupt Source Mapping

10.3 Interrupt Priorities

Each PLIC interrupt source can be assigned a priority by writing to its 32-bit memory-mapped priority register. The FE310-G002 supports 7 levels of priority. A priority value of 0 is reserved to mean "never interrupt" and effectively disables the interrupt. Priority 1 is the lowest active priority, and priority 7 is the highest. Ties between global interrupts of the same priority are broken by the Interrupt ID; interrupts with the lowest ID have the highest effective priority. See Table 27 for the detailed register description.

PLIC Interrupt Priority Register (priority)				
Base Address		0x0C00_0000 + 4 × Interrupt ID		
Bits	Field Name	Attr.	Rst.	Description
[2:0]	Priority	RW	X	Sets the priority for a given global interrupt.
[31:3]	Reserved	RO	0	

Table 27: PLIC Interrupt Priority Registers

10.4 Interrupt Pending Bits

The current status of the interrupt source pending bits in the PLIC core can be read from the pending array, organized as 2 words of 32 bits. The pending bit for interrupt ID N is stored in bit $(N \bmod 32)$ of word $(N/32)$. As such, the FE310-G002 has 2 interrupt pending registers. Bit 0 of word 0, which represents the non-existent interrupt source 0, is hardwired to zero.

A pending bit in the PLIC core can be cleared by setting the associated enable bit then performing a claim as described in Section 10.7.

PLIC Interrupt Pending Register 1 (pending1)				
Base Address		0x0C00_1000		
Bits	Field Name	Attr.	Rst.	Description
0	Interrupt 0 Pending	RO	0	Non-existent global interrupt 0 is hardwired to zero
1	Interrupt 1 Pending	RO	0	Pending bit for global interrupt 1
2	Interrupt 2 Pending	RO	0	Pending bit for global interrupt 2
...				
31	Interrupt 31 Pending	RO	0	Pending bit for global interrupt 31

Table 28: PLIC Interrupt Pending Register 1

PLIC Interrupt Pending Register 2 (pending2)				
Base Address		0x0C00_1004		
Bits	Field Name	Attr.	Rst.	Description
0	Interrupt 32 Pending	RO	0	Pending bit for global interrupt 32
...				
20	Interrupt 52 Pending	RO	0	Pending bit for global interrupt 52
[31:21]	Reserved	WIRI	X	

Table 29: PLIC Interrupt Pending Register 2

10.5 Interrupt Enables

Each global interrupt can be enabled by setting the corresponding bit in the enables registers. The enables registers are accessed as a contiguous array of 2×32 -bit words, packed the same way as the pending bits. Bit 0 of enable word 0 represents the non-existent interrupt ID 0 and is hardwired to 0.

Only 32-bit word accesses are supported by the enables array in SiFive RV32 systems.

PLIC Interrupt Enable Register 1 (enable1) for Hart 0 M-Mode				
Base Address		0x0C00_2000		
Bits	Field Name	Attr.	Rst.	Description
0	Interrupt 0 Enable	RO	0	Non-existent global interrupt 0 is hard-wired to zero
1	Interrupt 1 Enable	RW	X	Enable bit for global interrupt 1
2	Interrupt 2 Enable	RW	X	Enable bit for global interrupt 2
...				
31	Interrupt 31 Enable	RW	X	Enable bit for global interrupt 31

Table 30: PLIC Interrupt Enable Register 1 for Hart 0 M-Mode

PLIC Interrupt Enable Register 2 (enable2) for Hart 0 M-Mode				
Base Address		0x0C00_2004		
Bits	Field Name	Attr.	Rst.	Description
0	Interrupt 32 Enable	RW	X	Enable bit for global interrupt 32
...				
20	Interrupt 52 Enable	RW	X	Enable bit for global interrupt 52
[31:21]	Reserved	RO	0	

Table 31: PLIC Interrupt Enable Register 2 for Hart 0 M-Mode

10.6 Priority Thresholds

The FE310-G002 supports setting of an interrupt priority threshold via the `threshold` register. The `threshold` is a **WARL** field, where the FE310-G002 supports a maximum threshold of 7.

The FE310-G002 **masks all PLIC interrupts of a priority less than or equal to `threshold`**. For example, a `threshold` value of zero permits all interrupts with non-zero priority, whereas a value of 7 masks all interrupts.

PLIC Interrupt Priority Threshold Register (<code>threshold</code>)				
Base Address		0x0C20_0000		
[2:0]	Threshold	RW	X	Sets the priority threshold
[31:3]	Reserved	RO	0	

Table 32: PLIC Interrupt Threshold Register

10.7 Interrupt Claim Process

A FE310-G002 hart can perform an interrupt claim by reading the `claim/complete` register (Table 33), which returns the ID of the highest-priority pending interrupt or zero if there is no

pending interrupt. A successful claim also atomically clears the corresponding pending bit on the interrupt source.

A FE310-G002 hart can perform a claim at any time, even if the MEIP bit in its mip (Table 21) register is not set.

The claim operation is not affected by the setting of the priority threshold register.

10.8 Interrupt Completion

A FE310-G002 hart signals it has completed executing an interrupt handler by writing the interrupt ID it received from the claim to the claim/complete register (Table 33). The PLIC does not check whether the completion ID is the same as the last claim ID for that target. If the completion ID does not match an interrupt source that is currently enabled for the target, the completion is silently ignored.

PLIC Claim/Complete Register (claim)				
Base Address		0x0C20_0004		
[31:0]	Interrupt Claim/ Complete for Hart 0 M-Mode	RW	X	A read of zero indicates that no inter- rupts are pending. A non-zero read contains the id of the highest pending interrupt. A write to this register signals completion of the interrupt id written.

Table 33: PLIC Interrupt Claim/Complete Register for Hart 0 M-Mode

Chapter 11

Error Device

The error device is a TileLink slave that responds to all requests with a TileLink error. It has no registers. The entire memory range discards writes and returns zeros on read. Both operation acknowledgments carry an error indication.

The error device serves a dual role. Internally, it is used as a landing pad for illegal off-chip requests. However, it also useful for testing software handling of bus errors.

Chapter 12

One-Time Programmable Memory (OTP) Peripheral

This chapter describes the operation of the One-Time Programmable Memory (OTP) Controller.

Device configuration and power-supply control is principally under software control. The controller is reset to a state that allows memory-mapped reads, under the assumption that the controller's clock rate is between 1 MHz and 37 MHz. `vrren` is asserted during synchronous reset; it is safe to read from OTP immediately after reset if reset is asserted for at least 150 us while the controller's clock is running.

Programmed-I/O reads and writes are sequenced entirely by software.

12.1 Memory Map

The memory map for the OTP control registers is shown in Table 34. The control-register memory map has been designed to only require naturally aligned 32-bit memory accesses. The OTP controller also contains a read sequencer, which exposes the OTP's contents as a read/execute-only memory-mapped device.

Offset	Name	Description
0x00	otp_lock	Programmed-I/O lock register
0x04	otp_ck	OTP device clock signals
0x08	otp_oe	OTP device output-enable signal
0x0C	otp_sel	OTP device chip-select signal
0x10	otp_we	OTP device write-enable signal
0x14	otp_mr	OTP device mode register
0x18	otp_mrr	OTP read-voltage regulator control
0x1C	otp_mpp	OTP write-voltage charge pump control
0x20	otp_vrren	OTP read-voltage enable
0x24	otp_vppen	OTP write-voltage enable
0x28	otp_a	OTP device address
0x2C	otp_d	OTP device data input
0x30	otp_q	OTP device data output
0x34	otp_rsctrl	OTP read sequencer control

Table 34: Register offsets within the OTP Controller memory map

12.2 Programmed-I/O lock register (otp_lock)

The `otp_lock` register supports synchronization between the read sequencer and the programmed-I/O interface. When the lock is clear, memory-mapped reads may proceed. When the lock is set, memory-mapped reads do not access the OTP device, and instead return 0 immediately.

The `otp_lock` should be acquired before writing to any other control register. Software can attempt to acquire the lock by storing 1 to `otp_lock`. If a memory-mapped read is in progress, the lock will not be acquired, and will retain the value 0. Software can check if the lock was successfully acquired by loading `otp_lock` and checking that it has the value 1.

After a programmed-I/O sequence, software should restore the previous value of any control registers that were modified, then store 0 to `otp_lock`.

Listing 1 shows the synchronization code sequence.

Listing 1: Sequence to acquire and release `otp_lock`.

```

    la t0, otp_lock
    li t1, 1
loop: sw t1, (t0)
      lw t2, (t0)
      beqz t2, loop
      #
      # Programmed I/O sequence goes here.
      #
      sw x0, (t0)

```

12.3 Programmed-I/O Sequencing

The programmed-I/O interface exposes the OTP device's and power-supply's control signals directly to software. Software is responsible for respecting these signals' setup and hold times.

The OTP device requires that data be programmed one bit at a time and that the result be re-read and retried according to a specific protocol.

See the OTP device and power supply data sheets for timing constraints, control signal descriptions, and the programming algorithm.

12.4 Read sequencer control register (otp_rsctr1)

The read sequence consists of an address-setup phase, a read-pulse phase, and a read-access phase. The duration of these phases, in terms of controller clock cycles, is set by a programmable clock divider. The divider is controlled by the otp_rsctr1 register, the layout of which is shown in Table 35.

The number of clock cycles in each phase is given by 2^{scale} , and the width of each phase may be optionally scaled by 3. That is, the number of controller clock cycles in the address-setup phase is given by the expression $2^{scale} (1 + 2t_{AS})$; the number of clock cycles in the read-pulse phase is given by $2^{scale} (1 + 2t_{RP})$; and the read-access phase is $2^{scale} (1 + 2t_{RACC})$ cycles long.

Software should acquire the otp_lock prior to modifying otp_rsctr1.

otp_rsctr1: OTP read sequencer control (otp_rsctr1)				
Register Offset		0x34		
Bits	Field Name	Attr.	Rst.	Description
[2:0]	scale	RW	0x1	OTP timescale
3	tas	RW	0x0	Address setup time
4	trp	RW	0x0	Read pulse time
5	tacc	RW	0x0	Read access time
[31:6]	Reserved			

Table 35: otp_rsctr1: OTP read sequencer control

12.5 OTP Programming Warnings

Warning: Improper use of the One Time Programmable (OTP) memory may result in a non-functional device and/or unreliable operation.

- OTP Memory must be programmed following the procedure outlined below *exactly*.
- OTP Memory is designed to be programmed or accessed only while coreclk is running between 1 MHz and 37 MHz.

- OTP Memory must be programmed **only** while the power supply voltages remain within specification.

12.6 OTP Programming Procedure

1. LOCK the otp:
 - a. Write 0x1 to otp_lock
 - b. **Check that 0x1 is read back from otp_lock.**
 - c. Repeat this step until 0x1 is read successfully.
2. SET the programming voltages by writing the following values:

```
otp_mrr=0x4
otp_mpp=0x0
otp_vppen=0x0
```
3. WAIT 20 us for the programming voltages to stabilize.
4. ADDRESS the memory by setting otp_a.
5. WRITE **one bit at a time**:
 - a. Set **only** the bit you want to write high in otp_d
 - b. Bring otp_ck HIGH for 50 us
 - c. Bring otp_ck LOW. Note that this means **only** one bit of otp_d should be high at any time.
6. VERIFY the written bits setting otp_mrr=0x9 for read margin.
7. SOAK any verification failures by repeating steps 2-5 using 400 us pulses.
8. REVERIFY the rewritten bits setting otp_mrr=0xF. Steps 7,8 may be repeated up to 10 times before failing the part.
9. UNLOCK the otp by writing 0x0 to otp_lock.

Chapter 13

Always-On (AON) Domain

The FE310-G002 supports an always-on (AON) domain that includes real-time counter, a watchdog timer, backup registers, low frequency clocking, and reset and power-management circuitry for the rest of the system. Figure 5 shows an overview of the AON block.

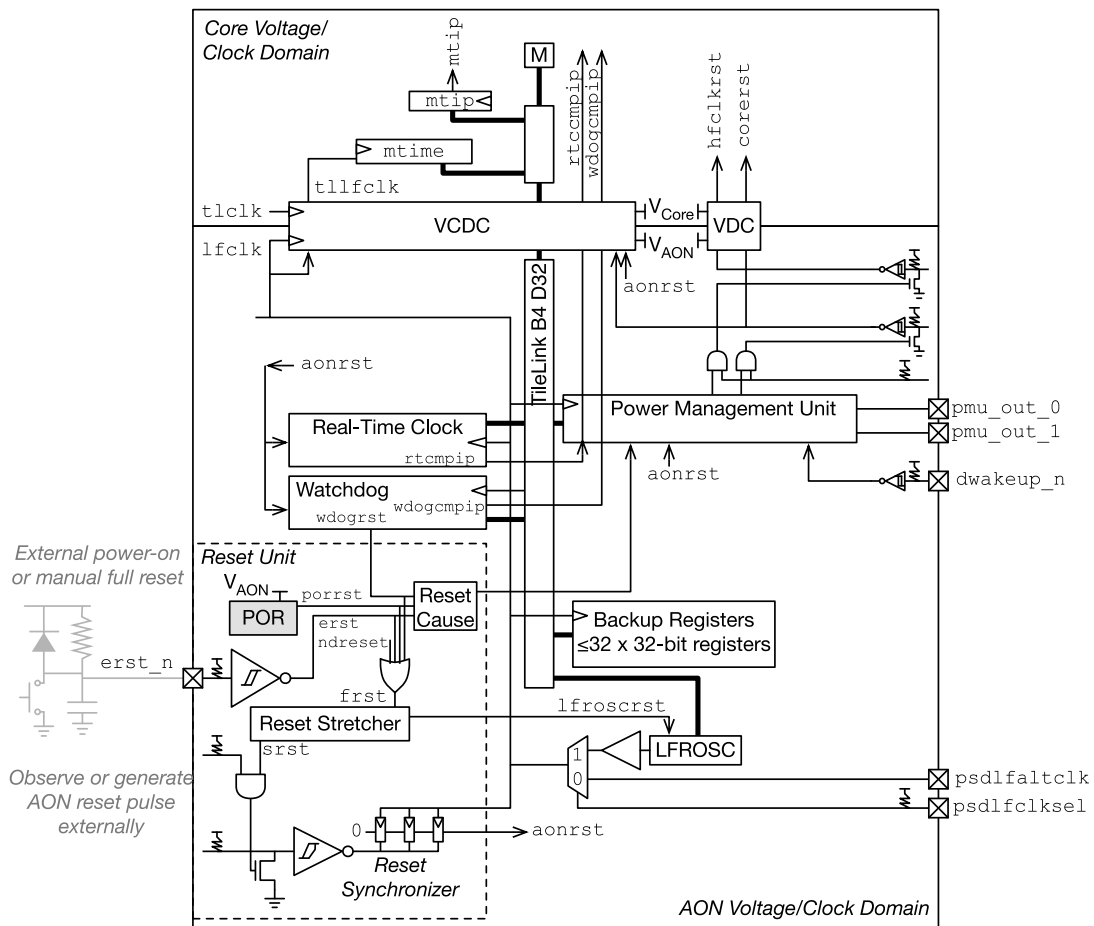


Figure 5: FE310-G002 Always-On Domain

13.1 AON Power Source

The AON domain is continuously powered from an off-chip power source, either a regulated power supply or a battery.

13.2 AON Clocking

The AON domain is clocked by the low-frequency clock, `1fc1k`. The core domain's Tilelink peripheral bus uses the high-frequency `corec1k`. A HF-LF power-clock-domain crossing (VCDC) bridges between the two power and clock domains.

An alternative low-frequency clock source can be provided via the `aon_1faltclkse1` and `aon_1faltclk` pads.

13.3 AON Reset Unit

An AON reset is the widest reset on the FE310-G002, and resets all state except for the JTAG debug interface.

An AON reset can be triggered by an on-chip power-on reset (POR) circuit when power is first applied to the AON domain, an external active-low reset pin (`erst_n`), a debug unit reset (`ndreset`), or expiration of the watchdog timer (`wdogrst`).

These sources provide a short initial reset pulse `frst`, which is extended by a reset stretcher to provide the LFROSC reset signal `1froscrst` and a longer stretched internal reset, `srst`.

The `1froscrst` signal is used to initialize the ring oscillator in the LFROSC. This oscillator provides `1fc1k`, which is used to clock the AON. `1fc1k` is also used as the clock input to `mtime` in the CLINT.

The `srst` strobe is passed to a reset synchronizer clocked by `1fc1k` to generate `aonrst`, an asynchronous-onset/synchronous-release reset signal used to reset most of the AON block.

The "mostly off" (MOFF) resets `corec1krst` and `corerst` are generated by the Power Management Unit (PMU) state machine after `aonrst` is deasserted.

13.4 Power-On Reset Circuit

The power-on-reset circuit holds its output low until the voltage in the AON block rises above a preset threshold.

13.5 External Reset Circuit

The FE310-G002 can be reset by pulling down on the external reset pin (`erst_n`), which has a weak pullup. An external power-on reset circuit consisting of a resistor and capacitor can be provided to generate a sufficiently long pulse to allow supply voltage to rise and then initiate the reset stretcher.

The external reset circuit can include a diode as shown to quickly discharge the capacitor after the supply is removed to rearm the external power-on reset circuit.

A manual reset button can be connected in parallel with the capacitor.

13.6 Reset Cause

The cause of an AON reset is latched in the Reset Unit and can be read from the `pmucause` register in the PMU, as described in Chapter 15.

13.7 Watchdog Timer (WDT)

The watchdog timer can be used to provide a watchdog reset function, or a periodic timer interrupt. The watchdog is described in detail in Chapter 14.

13.8 Real-Time Clock (RTC)

The real-time clock maintains time for the system and can also be used to generate interrupts for timed wakeup from sleep-mode or timer interrupts during normal operation. The Real-Time Clock is described in detail in Chapter 16.

13.9 Backup Registers

The backup registers provide a place to store critical data during sleep. The FE310-G002 has 32 32-bit backup registers.

13.10 Power-Management Unit (PMU)

The power-management unit (PMU) sequences the system power supplies and reset signals when transitioning into and out of sleep mode. The PMU also monitors AON signals for wakeup conditions. The PMU is described in detail in Chapter 15.

13.11 AON Memory Map

Table 36 shows the memory map of the AON block.

Offset	Name	Description
0x000	wdogcfg	wdog Configuration
0x008	wdogcount	Counter Register
0x010	wdogs	Scaled value of Counter
0x018	wdogfeed	Feed register
0x01C	wdogkey	Key Register
0x020	wdogcmp0	Comparator 0
0x040	rtccfg	rtc Configuration
0x048	rtccountlo	Low bits of Counter
0x04C	rtccounthi	High bits of Counter
0x050	rtcs	Scaled value of Counter
0x060	rtccmp0	Comparator 0
0x070	lfroscfg	Ring Oscillator Configuration and Status
0x07C	lfc1kmux	Low-Frequency Clock Mux Control and Status
0x080	backup_0	Backup Register 0
0x084	backup_1	Backup Register 1
0x088	backup_2	Backup Register 2
0x08C	backup_3	Backup Register 3
0x090	backup_4	Backup Register 4
0x094	backup_5	Backup Register 5
0x098	backup_6	Backup Register 6
0x09C	backup_7	Backup Register 7
0x0A0	backup_8	Backup Register 8
0x0A4	backup_9	Backup Register 9
0x0A8	backup_10	Backup Register 10
0x0AC	backup_11	Backup Register 11
0x0B0	backup_12	Backup Register 12
0x0B4	backup_13	Backup Register 13
0x0B8	backup_14	Backup Register 14
0x0BC	backup_15	Backup Register 15
0x100	pmuwakeupi0	Wakeup program instruction 0
0x104	pmuwakeupi1	Wakeup program instruction 1
0x108	pmuwakeupi2	Wakeup program instruction 2
0x10C	pmuwakeupi3	Wakeup program instruction 3
0x110	pmuwakeupi4	Wakeup program instruction 4
0x114	pmuwakeupi5	Wakeup program instruction 5
0x118	pmuwakeupi6	Wakeup program instruction 6
0x11C	pmuwakeupi7	Wakeup program instruction 7
0x120	pmusleepi0	Sleep program instruction 0
0x124	pmusleepi1	Sleep program instruction 1
0x128	pmusleepi2	Sleep program instruction 2
0x12C	pmusleepi3	Sleep program instruction 3

Table 36: AON Domain Memory Map

Offset	Name	Description
0x130	pmusleepi4	Sleep program instruction 4
0x134	pmusleepi5	Sleep program instruction 5
0x138	pmusleepi6	Sleep program instruction 6
0x13C	pmusleepi7	Sleep program instruction 7
0x140	pmuie	PMU Interrupt Enables
0x144	pmucause	PMU Wakeup Cause
0x148	pmusleep	Initiate PMU Sleep Sequence
0x14C	pmukey	PMU Key. Reads as 1 when PMU is unlocked
0x210	SiFiveBandgap	Bandgap configuration
0x300	AONCFG	AON Block Configuration Information

Table 36: AON Domain Memory Map

The counter is incremented at a maximum rate determined by the watchdog clock selection. Each cycle, the counter can be conditionally incremented depending on the existence of certain conditions, including always incrementing or incrementing only when the processor is not asleep.

The counter can also be reset to zero depending on certain conditions, such as a successful write to `wdogfeed` or the counter matching the compare value.

14.2 Watchdog Clock Selection

The WDT unit clock, `wdogclk`, is driven by the low-frequency clock `lfc1k`. It runs at approximately 32 kHz.

14.3 Watchdog Configuration Register (`wdogcfg`)

wdogcfg: wdog Configuration (<code>wdogcfg</code>)				
Register Offset		0x0		
Bits	Field Name	Attr.	Rst.	Description
[3:0]	<code>wdogscale</code>	RW	X	Counter scale value.
[7:4]	Reserved			
8	<code>wdogrsten</code>	RW	0x0	Controls whether the comparator output can set the <code>wdogrst</code> bit and hence cause a full reset.
9	<code>wdogzerocmp</code>	RW	X	Reset counter to zero after match.
[11:10]	Reserved			
12	<code>wdogenalways</code>	RW	0x0	Enable Always - run continuously
13	<code>wdogcoreawake</code>	RW	0x0	Increment the watchdog counter if the processor is not asleep
[27:14]	Reserved			
28	<code>wdogip0</code>	RW	X	Interrupt 0 Pending
[31:29]	Reserved			

Table 37: `wdogcfg`: wdog Configuration

The `wdogen*` bits control the conditions under which the watchdog counter `wdogcount` is incremented. The `wdogenalways` bit, if set, means the watchdog counter always increments. The `wdogencoreawake` bit, if set, means the watchdog counter increments if the processor core is not asleep. The WDT uses the `corerst` signal from the wakeup sequencer to know when the core is sleeping. The counter increments by one each cycle only if any of the enabled conditions are true. The `wdogen*` bits are reset on AON reset.

The 4-bit `wdogscale` field scales the watchdog counter value before feeding it to the comparator. The value in `wdogscale` is the bit position within the `wdogcount` register of the start of a 16-bit `wdogs` field. A value of 0 in `wdogscale` indicates no scaling, and `wdogs` would then be equal to the low 16 bits of `wdogcount`. The maximum value of 15 in `wdogscale` corresponds to

dividing the clock rate by 2^{15} , so for an input clock of 32.768 kHz, the LSB of `wdogs` will increment once per second.

The value of `wdogs` is memory-mapped and can be read as a single 16-bit value over the AON TileLink bus.

The `wdogzerocmp` bit, if set, causes the watchdog counter `wdogcount` to be automatically reset to zero one cycle after the `wdogs` counter value matches or exceeds the compare value in `wdogcmp`. This feature can be used to implement periodic counter interrupts, where the period is independent of interrupt service time.

The `wdogrsten` bit controls whether the comparator output can set the `wdogrst` bit and hence cause a full reset.

The `wdogip0` interrupt pending bit can be read or written.

14.4 Watchdog Compare Register (`wdogcmp`)

wdogcmp0: Comparator 0 (<code>wdogcmp0</code>)				
Register Offset		0x20		
Bits	Field Name	Attr.	Rst.	Description
[15:0]	<code>wdogcmp0</code>	RW	X	Comparator 0
[31:16]	Reserved			

Table 38: `wdogcmp0`: Comparator 0

The `wdogcmp` compare register is a 16-bit value against which the current `wdogs` value is compared every cycle. The output of the comparator is asserted whenever the value of `wdogs` is greater than or equal to `wdogcmp`.

14.5 Watchdog Key Register (`wdogkey`)

The `wdogkey` register has one bit of state. To prevent spurious reset of the WDT, all writes to `wdogcfg`, `wdogfeed`, `wdogcount`, `wdogcount`, `wdogcmp` and `wdogip0` must be preceded by an unlock operation to the `wdogkey` register location, which sets `wdogkey`. The value 0x51F15E must be written to the `wdogkey` register address to set the state bit before any write access to any other watchdog register. The state bit is reset at AON reset, and after any write to a watchdog register.

Watchdog registers may be read without setting `wdogkey`.

14.6 Watchdog Feed Address (`wdogfeed`)

After a successful key unlock, the watchdog can be fed using a write of the value `0xD09F00D` to the `wdogfeed` address, which will reset the `wdogcount` register to zero. The full watchdog feed sequence is shown in Listing 2.

Listing 2: Sequence to reinitialize watchdog.

```
li t0, 0x51F15E # Obtain key.
sw t0, wdogkey  # Unlock kennel.
li t0, 0xD09F00D # Get some food.
sw t0, wdogfeed # Feed the watchdog.
```

Note there is no state associated with the `wdogfeed` address. Reads of this address return 0.

14.7 Watchdog Configuration

The WDT provides watchdog intervals of up to over 18 hours ($\approx 65,535$ seconds).

14.8 Watchdog Resets

If the watchdog is not fed before the `wdogcount` register exceeds the compare register zero while the WDT is enabled, a reset pulse is sent to the reset circuitry, and the chip will go through a complete power-on sequence.

The WDT will be initialized after a full reset, with the `wdogrsten` and `wdogen*` bits cleared.

14.9 Watchdog Interrupts (`wdogip0`)

The WDT can be configured to provide periodic counter interrupts by disabling watchdog resets (`wdogrsten=0`) and enabling auto-zeroing of the count register when the comparator fires (`wdogzerocmp=1`).

The sticky single-bit `wdogip0` register captures the comparator output and holds it to provide an interrupt pending signal. The `wdogip` register resides in the `wdogcfg` register, and can be read and written over TileLink to clear down the interrupt.

Chapter 15

Power-Management Unit (PMU)

The FE310-G002 power-management unit (PMU) is implemented within the AON domain and sequences the system's power supplies and reset signals during power-on reset and when transitioning the "mostly off" (MOFF) block into and out of sleep mode.

Offset	Name	Description
0x100	pmuwakeupi0	Wakeup program instruction 0
0x104	pmuwakeupi1	Wakeup program instruction 1
0x108	pmuwakeupi2	Wakeup program instruction 2
0x10C	pmuwakeupi3	Wakeup program instruction 3
0x110	pmuwakeupi4	Wakeup program instruction 4
0x114	pmuwakeupi5	Wakeup program instruction 5
0x118	pmuwakeupi6	Wakeup program instruction 6
0x11C	pmuwakeupi7	Wakeup program instruction 7
0x120	pmusleepi0	Sleep program instruction 0
0x124	pmusleepi1	Sleep program instruction 1
0x128	pmusleepi2	Sleep program instruction 2
0x12C	pmusleepi3	Sleep program instruction 3
0x130	pmusleepi4	Sleep program instruction 4
0x134	pmusleepi5	Sleep program instruction 5
0x138	pmusleepi6	Sleep program instruction 6
0x13C	pmusleepi7	Sleep program instruction 7
0x140	pmuie	PMU Interrupt Enables
0x144	pmucause	PMU Wakeup Cause
0x148	pmusleep	Initiate PMU Sleep Sequence
0x14C	pmukey	PMU Key. Reads as 1 when PMU is unlocked

Table 39: PMU Memory Map

15.3 PMU Key Register (`pmukey`)

The `pmukey` register has one bit of state. To prevent spurious sleep or PMU program modification, all writes to PMU registers must be preceded by an unlock operation to the `pmukey` register location, which sets `pmukey` to 1. The value `0x51F15E` must be written to the `pmukey` register address to set the state bit before any write access to any other PMU register. The state bit is reset at AON reset, and after any write to a PMU register.

PMU registers may be read without setting `pmukey`.

15.4 PMU Program

The PMU is implemented as a programmable sequencer to support customization and tuning of the wakeup and sleep sequences. A wakeup or sleep program comprises eight instructions. An instruction consists of a delay, encoded as a binary order of magnitude, and a new value for all of the PMU output signals to assume after that delay. The PMU instruction format is shown in Table 40. For example, the instruction `0x108` delays for 2^8 clock cycles, then raises `hfc1krst` and lowers all other output signals.

The PMU output signals are registered and only toggle on PMU instruction boundaries. The output registers are all asynchronously set to 1 by `aonrst`.

PMU Instruction Format (<code>pmu(sleep/wakeup)ix</code>)				
Register Offset		0x100		
Bits	Field Name	Attr.	Rst.	Description
[3:0]	delay	RW	X	delay multiplier
4	pmu_out_0_en	RW	X	Drive PMU Output En 0 High
5	pmu_out_1_en	RW	X	Drive PMU Output En 1 High
7	corerst	RW	X	Core Reset
8	hfc1krst	RW	X	High-Frequency Clock Reset
9	isolate	RW	X	Isolate MOFF-to-AON Power Domains

Table 40: PMU Instruction Format

At power-on reset, the PMU program memories are reset to conservative defaults. Table 41 shows the default wakeup program, and Table 42 shows the default sleep program.

Program Instruction	Value	Meaning
0	0x3F0	Assert all resets and enable all power supplies
1	0x2F8	Idle 2^8 cycles, then deassert <code>hfc1krst</code>
2	0x030	Deassert <code>corerst</code> and <code>padrst</code>
3-7	0x030	<i>Repeats</i>

Table 41: Default PMU wakeup program

Program Instruction	Value	Meaning
0	0x2F0	Assert <code>corerst</code>
1	0x3F0	Assert <code>hfc1krst</code>
2	0x3D0	Deassert <code>pmu_out_1</code>
3	0x3C0	Deassert <code>pmu_out_0</code>
4-7	0x3C0	<i>Repeats</i>

Table 42: Default PMU sleep program

15.5 Initiate Sleep Sequence Register (`pmusleep`)

Writing any value to the `pmusleep` register initiates the sleep sequence stored in the sleep program memory. The MOFF block will sleep until an event enabled in the `pmuie` register occurs.

15.6 Wakeup Signal Conditioning

The PMU can be woken by the external `dawakeup` signal, which is preconditioned by the signal conditioning block.

The dwakeup signal has a fixed deglitch circuit that requires the dwakeup signal remain asserted for two AON clock edges before being accepted. The conditioning circuit also resynchronizes the dwakeup signal to the AON 1fclk.

15.7 PMU Interrupt Enables (`pmuie`) and Wakeup Cause (`pmucause`)

The `pmuie` register indicates which events can wake the MOFF block from sleep.

The `dwakeup` bit indicates that a logic 0 on the `dwakeup_n` pin can rouse MOFF. The `rtc` bit indicates that the RTC comparator can rouse MOFF.

pmuie: PMU Interrupt Enables (<code>pmuie</code>)				
Register Offset		0x140		
Bits	Field Name	Attr.	Rst.	Description
[3:0]	<code>pmuie</code>	RW	0x1	PMU Interrupt Enables
[31:4]	Reserved			

Table 43: `pmuie`: PMU Interrupt Enables

Following a wakeup, the `pmucause` register indicates which event caused the wakeup. The value in the `wakeupcause` field corresponds to the bit position of the event in `pmuie`, e.g., a value of 2 indicates `dwakeup`. The value 0 indicates a wakeup from reset. These causes are shown in Table 45.

In the event of a wakeup from reset, the `resetcause` field indicates which reset source triggered the wakeup. Table 46 lists the values the `resetcause` field may take. The value in `resetcause` persists until the next reset.

pmucause: PMU Wakeup Cause (<code>pmucause</code>)				
Register Offset		0x144		
Bits	Field Name	Attr.	Rst.	Description
[31:0]	<code>pmucause</code>	R0	X	PMU Wakeup Cause

Table 44: `pmucause`: PMU Wakeup Cause

Index	Meaning
0	Reset
1	RTC Wakup (<code>rtc</code>)
2	Digital input wakeup (<code>dwakeup</code>)

Table 45: Wakeup cause values

Index	Meaning
0	Power-on Reset
1	External reset
2	Watchdog timer reset

Table 46: Reset cause values

Chapter 16

Real-Time Clock (RTC)

The real-time clock (RTC) is located in the always-on domain, and is clocked by a selectable low-frequency clock source. For best accuracy, the RTC should be driven by an external 32.768 kHz watch crystal oscillator, but to reduce system cost, can be driven by a factory-trimmed on-chip oscillator.

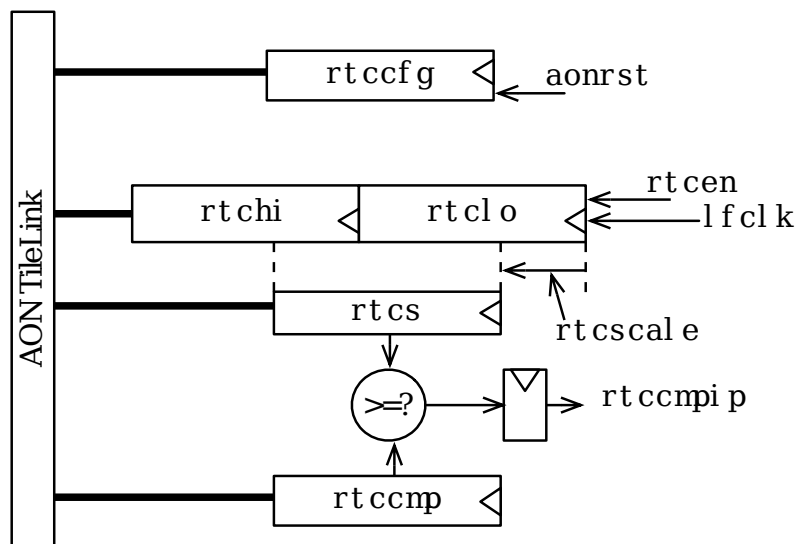


Figure 8: Real-Time Clock

16.1 RTC Count Registers (`rtccounthi/rtccountlo`)

The real-time counter is based around the `rtccounthi/rtccountlo` register pair, which increment at the low-frequency clock rate when the RTC is enabled. The `rtccountlo` register holds the low 32 bits of the RTC, while `rtccounthi` holds the upper 16 bits of the RTC value. The total ≥ 48 -bit counter width ensures there will no counter rollover for over 270 years assuming a 32.768 kHz low-frequency real-time clock source. The counter registers can be read or written over the TileLink bus.

rtccounthi: High bits of Counter (rtccounthi)				
Register Offset		0x4C		
Bits	Field Name	Attr.	Rst.	Description
[31:0]	rtccounthi	RW	X	High bits of Counter

Table 47: rtccounthi: High bits of Counter

rtccountlo: Low bits of Counter (rtccountlo)				
Register Offset		0x48		
Bits	Field Name	Attr.	Rst.	Description
[31:0]	rtccountlo	RW	X	Low bits of Counter

Table 48: rtccountlo: Low bits of Counter

16.2 RTC Configuration Register (rtccfg)

rtccfg: rtc Configuration (rtccfg)				
Register Offset		0x40		
Bits	Field Name	Attr.	Rst.	Description
[3:0]	rtcscale	RW	X	Counter scale value.
[11:4]	Reserved			
12	rtcenalways	RW	0x0	Enable Always - run continuously
[27:13]	Reserved			
28	rtcip0	RW	X	Interrupt 0 Pending
[31:29]	Reserved			

Table 49: rtccfg: rtc Configuration

The `rtcenalways` bit controls whether the RTC is enabled, and is reset on AON reset.

The 4-bit `rtcscale` field scales the real-time counter value before feeding to the real-time interrupt comparator. The value in `rtcscale` is the bit position within the `rtccountlo/rtccounthi` register pair of the start of a 32-bit field `rtcs`. A value of 0 in `rtcscale` indicates no scaling, and `rtcs` would then be equal to `rtclo`. The maximum value of 15 in `rtcscale` corresponds to dividing the clock rate by 2^{15} , so for an input clock of 32.768 kHz, the LSB of `rtcs` will increment once per second. The value of `rtcs` is memory-mapped and can be read as a single 32-bit register over the AON TileLink bus.

16.3 RTC Compare Register (rtccmp)

The `rtccmp` register holds a 32-bit value that is compared against `rtcs`, the scaled real-time clock counter. If `rtcs` is greater than or equal to `rtccmp`, the `rtccmpip` interrupt pending bit is set. The `rtccmpip` interrupt pending bit is read-only. The `rtccmpip` bit can be cleared down by writing a value to `rtccmp` that is greater than `rtcs`.

rtccmp0: Comparator 0 (rtccmp0)				
Register Offset		0x60		
Bits	Field Name	Attr.	Rst.	Description
[31:0]	rtccmp0	RW	X	Comparator 0

Table 50: rtccmp0: Comparator 0

Chapter 17

General Purpose Input/Output Controller (GPIO)

This chapter describes the operation of the General Purpose Input/Output Controller (GPIO) on the FE310-G002. The GPIO controller is a peripheral device mapped in the internal memory map. It is responsible for low-level configuration of actual GPIO pads on the device (direction, pull up-enable, and drive value), as well as selecting between various sources of the controls for these signals. The GPIO controller allows separate configuration of each of `ngpio` GPIO bits.

Figure 9 shows the control structure for each pin.

Atomic operations such as toggles are natively possible with the RISC-V 'A' extension.

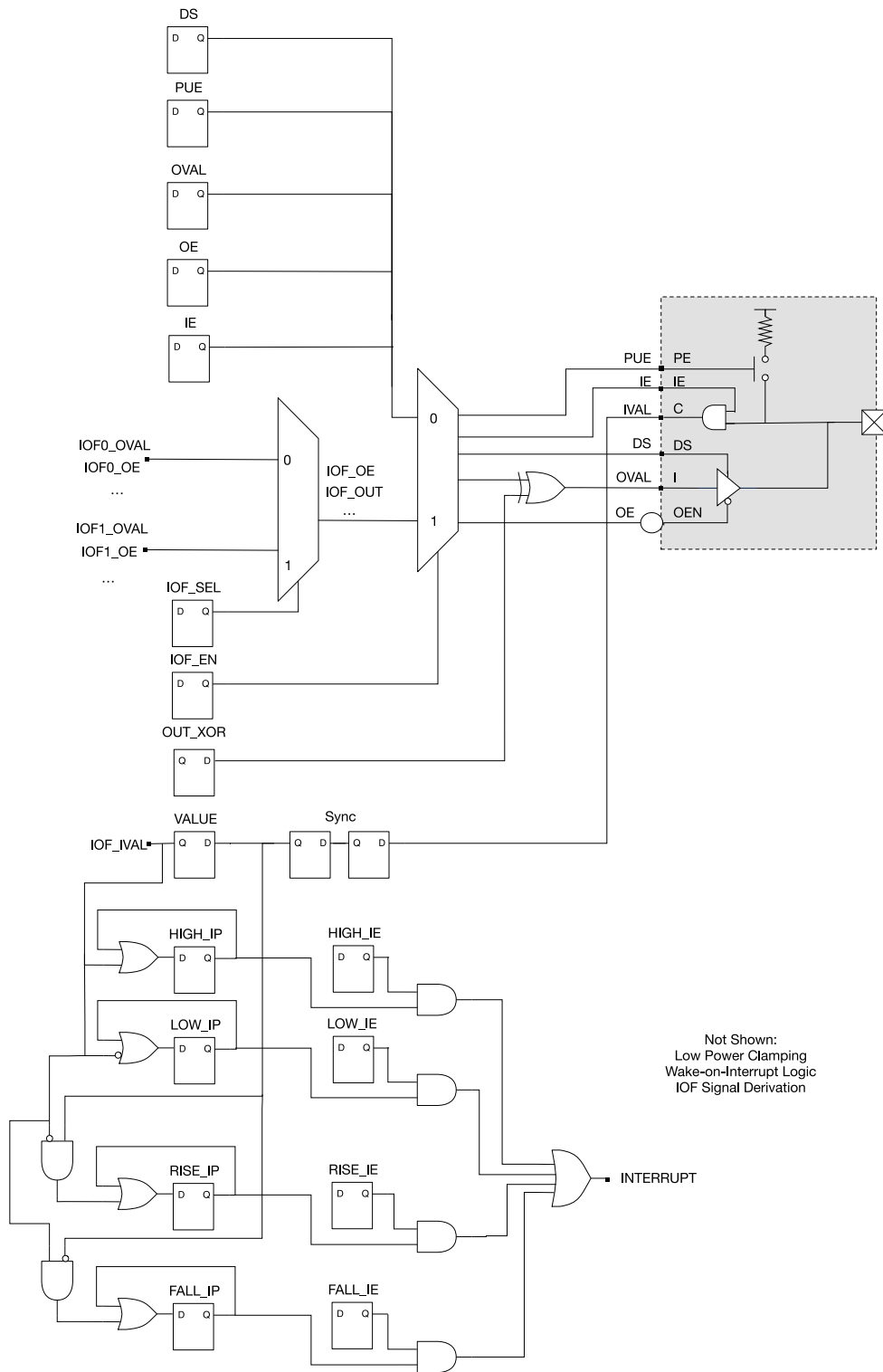


Figure 9: Structure of a single GPIO Pin with Control Registers. This structure is repeated for each pin.

17.1 GPIO Instance in FE310-G002

FE310-G002 contains one GPIO instance. Its address and parameters are shown in Table 51.

Instance Number	Address	ngpio
0	0x10012000	32

Table 51: GPIO Instance

17.2 Memory Map

The memory map for the GPIO control registers is shown in Table 52. The GPIO memory map has been designed to require only naturally-aligned 32-bit memory accesses. Each register is ngpio bits wide.

Offset	Name	Description
0x00	input_val	Pin value
0x04	input_en	Pin input enable*
0x08	output_en	Pin output enable*
0x0C	output_val	Output value
0x10	pue	Internal pull-up enable*
0x14	ds	Pin drive strength
0x18	rise_ie	Rise interrupt enable
0x1C	rise_ip	Rise interrupt pending
0x20	fall_ie	Fall interrupt enable
0x24	fall_ip	Fall interrupt pending
0x28	high_ie	High interrupt enable
0x2C	high_ip	High interrupt pending
0x30	low_ie	Low interrupt enable
0x34	low_ip	Low interrupt pending
0x40	out_xor	Output XOR (invert)

Table 52: GPIO Peripheral Register Offsets. Only naturally aligned 32-bit memory accesses are supported. Registers marked with an * are asynchronously reset to 0. All other registers are synchronously reset to 0.

17.3 Input / Output Values

The GPIO can be configured on a bitwise fashion to represent inputs and/or outputs, as set by the `input_en` and `output_en` registers. Writing to the `output_val` register updates the bits regardless of the tristate value. Reading the `output_val` register returns the written value. Reading the `input_val` register returns the actual value of the pin gated by `input_en`.

17.4 Interrupts

A single interrupt bit can be generated for each GPIO bit. The interrupt can be driven by rising or falling edges, or by level values, and interrupts can be enabled for each GPIO bit individually.

Inputs are synchronized before being sampled by the interrupt logic, so the input pulse width must be long enough to be detected by the synchronization logic.

To enable an interrupt, set the corresponding bit in the `rise_ie` and/or `fall_ie` to 1. If the corresponding bit in `rise_ip` or `fall_ip` is set, an interrupt pin is raised.

Once the interrupt is pending, it will remain set until a 1 is written to the `*_ip` register at that bit.

The interrupt pins may be routed to the PLIC or directly to local interrupts.

17.5 Internal Pull-Ups

When configured as inputs, each pin has an internal pull-up which can be enabled by software. At reset, all pins are set as inputs, and pull-ups are disabled.

17.6 Drive Strength

When configured as output, each pin has a software-controllable drive strength.

17.7 Output Inversion

When configured as an output (either software or IOF controlled), the software-writable `out_xor` register is combined with the output to invert it.

17.8 HW I/O Functions (IOF)

Each GPIO pin can implement up to 2 HW-Driven functions (IOF) enabled with the `iof_en` register. Which IOF is used is selected with the `iof_sel` register.

When a pin is set to perform an IOF, it is possible that the software registers `port`, `output_en`, `pullup`, `ds`, `input_en` may not be used to control the pin directly. Rather, the pins may be controlled by hardware driving the IOF. Which functionalities are controlled by the IOF and which are controlled by the software registers are fixed in the hardware on a per-IOF basis. Those that are not controlled by the hardware continue to be controlled by the software registers.

If there is no IOFx for a pin configured with IOFx, the pin reverts to full software control.

GPIO Number	IOF0	IOF1
0		PWM0_PWM0
1		PWM0_PWM1
2	SPI1_CS0	PWM0_PWM2
3	SPI1_DQ0	PWM0_PWM3
4	SPI1_DQ1	
5	SPI1_SCK	
6	SPI1_DQ2	
7	SPI1_DQ3	
8	SPI1_CS1	
9	SPI1_CS2	
10	SPI1_CS3	PWM2_PWM0
11		PWM2_PWM1
12	I2C0_SDA	PWM2_PWM2
13	I2C0_SCL	PWM2_PWM3
14		
15		
16	UART0_RX	
17	UART0_TX	
18	UART1_RX	
19		PWM1_PWM1
20		PWM1_PWM0
21		PWM1_PWM2
22		PWM1_PWM3
23	UART1_TX	
24		
25		
26	SPI2_CS0	
27	SPI2_DQ0	
28	SPI2_DQ1	
29	SPI2_SCK	
30	SPI2_DQ2	
31	SPI2_DQ3	

Table 53: GPIO IOF Mapping

Chapter 18

Universal Asynchronous Receiver/Transmitter (UART)

This chapter describes the operation of the SiFive Universal Asynchronous Receiver/Transmitter (UART).

18.1 UART Overview

The UART peripheral supports the following features:

- 8-N-1 and 8-N-2 formats: 8 data bits, no parity bit, 1 start bit, 1 or 2 stop bits
- 8-entry transmit and receive FIFO buffers with programmable watermark interrupts
- 16× Rx oversampling with 2/3 majority voting per bit

The UART peripheral does not support hardware flow control or other modem control signals, or synchronous serial data transfers.

18.2 UART Instances in FE310-G002

FE310-G002 contains two UART instances. Their addresses and parameters are shown in Table 54.

Instance Number	Address	div_width	div_init	TX FIFO Depth	RX FIFO Depth
0	0x10013000	16	3	8	8
1	0x10023000	16	3	8	8

Table 54: UART Instances

18.3 Memory Map

The memory map for the UART control registers is shown in Table 55. The UART memory map has been designed to require only naturally aligned 32-bit memory accesses.

Offset	Name	Description
0x00	txdata	Transmit data register
0x04	rxdata	Receive data register
0x08	txctrl	Transmit control register
0x0C	rxctrl	Receive control register
0x10	ie	UART interrupt enable
0x14	ip	UART interrupt pending
0x18	div	Baud rate divisor

Table 55: Register offsets within UART memory map

18.4 Transmit Data Register (txdata)

Writing to the txdata register enqueues the character contained in the data field to the transmit FIFO if the FIFO is able to accept new entries. Reading from txdata returns the current value of the full flag and zero in the data field. The full flag indicates whether the transmit FIFO is able to accept new entries; when set, writes to data are ignored. A RISC-V amoor.w instruction can be used to both read the full status and attempt to enqueue data, with a non-zero return value indicating the character was not accepted.

Transmit Data Register (txdata)				
Register Offset		0x0		
Bits	Field Name	Attr.	Rst.	Description
[7:0]	data	RW	X	Transmit data
[30:8]	Reserved			
31	full	R0	X	Transmit FIFO full

Table 56: Transmit Data Register

18.5 Receive Data Register (rxdata)

Reading the rxdata register dequeues a character from the receive FIFO and returns the value in the data field. The empty flag indicates if the receive FIFO was empty; when set, the data field does not contain a valid character. Writes to rxdata are ignored.

Receive Data Register (rxdata)				
Register Offset		0x4		
Bits	Field Name	Attr.	Rst.	Description
[7:0]	data	R0	X	Received data
[30:8]	Reserved			
31	empty	R0	X	Receive FIFO empty

Table 57: Receive Data Register

18.6 Transmit Control Register (txctr1)

The read-write txctr1 register controls the operation of the transmit channel. The txen bit controls whether the Tx channel is active. When cleared, transmission of Tx FIFO contents is suppressed, and the txd pin is driven high.

The nstop field specifies the number of stop bits: 0 for one stop bit and 1 for two stop bits.

The txcnt field specifies the threshold at which the Tx FIFO watermark interrupt triggers.

The txctr1 register is reset to 0.

Transmit Control Register (txctr1)				
Register Offset		0x8		
Bits	Field Name	Attr.	Rst.	Description
0	txen	RW	0x0	Transmit enable
1	nstop	RW	0x0	Number of stop bits
[15:2]	Reserved			
[18:16]	txcnt	RW	0x0	Transmit watermark level
[31:19]	Reserved			

Table 58: Transmit Control Register

18.7 Receive Control Register (rxctr1)

The read-write rxctr1 register controls the operation of the receive channel. The rxen bit controls whether the Rx channel is active. When cleared, the state of the rxd pin is ignored, and no characters will be enqueued into the Rx FIFO.

The rxcnt field specifies the threshold at which the Rx FIFO watermark interrupt triggers.

The rxctr1 register is reset to 0. Characters are enqueued when a zero (low) start bit is seen.

Receive Control Register (rxctr1)				
Register Offset		0xC		
Bits	Field Name	Attr.	Rst.	Description
0	rxen	RW	0x0	Receive enable
[15:1]	Reserved			
[18:16]	rxcnt	RW	0x0	Receive watermark level
[31:19]	Reserved			

Table 59: Receive Control Register

18.8 Interrupt Registers (ip and ie)

The ip register is a read-only register indicating the pending interrupt conditions, and the read-write ie register controls which UART interrupts are enabled. ie is reset to 0.

The txwm condition becomes raised when the number of entries in the transmit FIFO is strictly less than the count specified by the txcnt field of the txctr1 register. The pending bit is cleared when sufficient entries have been enqueued to exceed the watermark.

The rxwm condition becomes raised when the number of entries in the receive FIFO is strictly greater than the count specified by the rxcnt field of the rxctr1 register. The pending bit is cleared when sufficient entries have been dequeued to fall below the watermark.

UART Interrupt Enable Register (ie)				
Register Offset		0x10		
Bits	Field Name	Attr.	Rst.	Description
0	txwm	RW	0x0	Transmit watermark interrupt enable
1	rxwm	RW	0x0	Receive watermark interrupt enable
[31:2]	Reserved			

Table 60: UART Interrupt Enable Register

UART Interrupt Pending Register (ip)				
Register Offset		0x14		
Bits	Field Name	Attr.	Rst.	Description
0	txwm	RO	X	Transmit watermark interrupt pending
1	rxwm	RO	X	Receive watermark interrupt pending
[31:2]	Reserved			

Table 61: UART Interrupt Pending Register

18.9 Baud Rate Divisor Register (div)

The read-write, div_width-bit div register specifies the divisor used by baud rate generation for both Tx and Rx channels. The relationship between the input clock and baud rate is given by the following formula:

$$f_{\text{baud}} = \frac{f_{\text{in}}}{\text{div} + 1}$$

The input clock is the bus clock `t1clk`. The reset value of the register is set to `div_init`, which is tuned to provide a 115200 baud output out of reset given the expected frequency of `t1clk`.

Table 62 shows divisors for some common core clock rates and commonly used baud rates. Note that the table shows the divide ratios, which are one greater than the value stored in the `div` register.

t1clk (MHz)	Target Baud (Hz)	Divisor	Actual Baud (Hz)	Error (%)
2	31250	64	31250	0
2	115200	17	117647	2.1
16	31250	512	31250	0
16	115200	139	115107	0.08
16	250000	64	250000	0
200	31250	6400	31250	0
200	115200	1736	115207	0.0064
200	250000	800	250000	0
200	1843200	109	1834862	0.45
384	31250	12288	31250	0
384	115200	3333	115211	0.01
384	250000	1536	250000	0
384	1843200	208	1846153	0.16

Table 62: Common baud rates (MIDI=31250, DMX=250000) and required divide values to achieve them with given bus clock frequencies. The divide values are one greater than the value stored in the `div` register.

The receive channel is sampled at 16× the baud rate, and a majority vote over 3 neighboring bits is used to determine the received value. For this reason, the divisor must be ≥16 for a receive channel.

Baud Rate Divisor Register (<code>div</code>)				
Register Offset		0x18		
Bits	Field Name	Attr.	Rst.	Description
[15:0]	<code>div</code>	RW	X	Baud rate divisor. <code>div_width</code> bits wide, and the reset value is <code>div_init</code> .
[31:16]	Reserved			

Table 63: Baud Rate Divisor Register

Chapter 19

Serial Peripheral Interface (SPI)

This chapter describes the operation of the SiFive Serial Peripheral Interface (SPI) controller.

19.1 SPI Overview

The SPI controller supports master-only operation over the single-lane, dual-lane, and quad-lane protocols. The baseline controller provides a FIFO-based interface for performing programmed I/O. Software initiates a transfer by enqueueing a frame in the transmit FIFO; when the transfer completes, the slave response is placed in the receive FIFO.

In addition, a SPI controller can implement a SPI flash read sequencer, which exposes the external SPI flash contents as a read/execute-only memory-mapped device. Such controllers are reset to a state that allows memory-mapped reads, under the assumption that the input clock rate is less than 100 MHz and the external SPI flash device supports the common Winbond/Numonyx serial read (0x03) command. Sequential accesses are automatically combined into one long read command for higher performance.

The `fctr1` register controls switching between the memory-mapped and programmed-I/O modes, if applicable. While in programmed-I/O mode, memory-mapped reads do not access the external SPI flash device and instead return 0 immediately. Hardware interlocks ensure that the current transfer completes before mode transitions and control register updates take effect.

19.2 SPI Instances in FE310-G002

FE310-G002 contains three SPI instances. Their addresses and parameters are shown in Table 64.

Instance	Flash Controller	Address	cs_width	div_width
QSPI 0	Y	0x10014000	1	12
SPI 1	N	0x10024000	4	12
SPI 2	N	0x10034000	1	12

Table 64: SPI Instances

19.3 Memory Map

The memory map for the SPI control registers is shown in Table 65. The SPI memory map has been designed to require only naturally-aligned 32-bit memory accesses.

Offset	Name	Description
0x00	sckdiv	Serial clock divisor
0x04	sckmode	Serial clock mode
0x08	Reserved	
0x0C	Reserved	
0x10	csid	Chip select ID
0x14	csdef	Chip select default
0x18	csmode	Chip select mode
0x1C	Reserved	
0x20	Reserved	
0x24	Reserved	
0x28	delay0	Delay control 0
0x2C	delay1	Delay control 1
0x30	Reserved	
0x34	Reserved	
0x38	Reserved	
0x3C	Reserved	
0x40	fnt	Frame format
0x44	Reserved	
0x48	txdata	Tx FIFO Data
0x4C	rxdata	Rx FIFO data
0x50	txmark	Tx FIFO watermark
0x54	rxmark	Rx FIFO watermark
0x58	Reserved	
0x5C	Reserved	
0x60	fctrl	SPI flash interface control*
0x64	ffmt	SPI flash instruction format*
0x68	Reserved	
0x6C	Reserved	
0x70	ie	SPI interrupt enable
0x74	ip	SPI interrupt pending

Table 65: Register offsets within the SPI memory map. Registers marked * are present only on controllers with the direct-map flash interface.

19.4 Serial Clock Divisor Register (`sckdiv`)

The `sckdiv` is a `div_width`-bit register that specifies the divisor used for generating the serial clock (SCK). The relationship between the input clock and SCK is given by the following formula:

$$f_{\text{sck}} = \frac{f_{\text{in}}}{2(\text{div} + 1)}$$

The input clock is the bus clock `t1clk`. The reset value of the `div` field is `0x3`.

Serial Clock Divisor Register (<code>sckdiv</code>)				
Register Offset		0x0		
Bits	Field Name	Attr.	Rst.	Description
[11:0]	<code>div</code>	RW	0x3	Divisor for serial clock. <code>div_width</code> bits wide.
[31:12]	Reserved			

Table 66: Serial Clock Divisor Register

19.5 Serial Clock Mode Register (`sckmode`)

The `sckmode` register defines the serial clock polarity and phase. Table 68 and Table 69 describe the behavior of the `pol` and `pha` fields, respectively. The reset value of `sckmode` is `0`.

Serial Clock Mode Register (<code>sckmode</code>)				
Register Offset		0x4		
Bits	Field Name	Attr.	Rst.	Description
0	<code>pha</code>	RW	0x0	Serial clock phase
1	<code>pol</code>	RW	0x0	Serial clock polarity
[31:2]	Reserved			

Table 67: Serial Clock Mode Register

Value	Description
0	Inactive state of SCK is logical 0
1	Inactive state of SCK is logical 1

Table 68: Serial Clock Polarity

Value	Description
0	Data is sampled on the leading edge of SCK and shifted on the trailing edge of SCK
1	Data is shifted on the leading edge of SCK and sampled on the trailing edge of SCK

Table 69: Serial Clock Phase

19.6 Chip Select ID Register (`csid`)

The `csid` is a $\log_2(cs_width)$ -bit register that encodes the index of the CS pin to be toggled by hardware chip select control. The reset value is `0x0`.

Chip Select ID Register (csid)				
Register Offset		0x10		
Bits	Field Name	Attr.	Rst.	Description
[31:0]	csid	RW	0x0	Chip select ID. $\log_2(cs_width)$ bits wide.

Table 70: Chip Select ID Register

19.7 Chip Select Default Register (csdef)

The csdef register is a cs_width-bit register that specifies the inactive state (polarity) of the CS pins. The reset value is high for all implemented CS pins.

Chip Select Default Register (csdef)				
Register Offset		0x14		
Bits	Field Name	Attr.	Rst.	Description
[31:0]	csdef	RW	0x1	Chip select default value. cs_width bits wide, reset to all-1s.

Table 71: Chip Select Default Register

19.8 Chip Select Mode Register (csmode)

The csmode register defines the hardware chip select behavior as described in Table 72. The reset value is 0x0 (AUTO). In HOLD mode, the CS pin is deasserted only when one of the following conditions occur:

- A different value is written to csmode or csid.
- A write to csdef changes the state of the selected pin.
- Direct-mapped flash mode is enabled.

Chip Select Mode Register (csmode)				
Register Offset		0x18		
Bits	Field Name	Attr.	Rst.	Description
[1:0]	mode	RW	0x0	Chip select mode
[31:2]	Reserved			

Table 72: Chip Select Mode Register

Value	Name	Description
0	AUTO	Assert/deassert CS at the beginning/end of each frame
2	HOLD	Keep CS continuously asserted after the initial frame
3	OFF	Disable hardware control of the CS pin

Table 73: Chip Select Modes

19.9 Delay Control Registers (`delay0` and `delay1`)

The `delay0` and `delay1` registers allow for the insertion of arbitrary delays specified in units of one SCK period.

The `cssck` field specifies the delay between the assertion of CS and the first leading edge of SCK. When `sckmode.pha = 0`, an additional half-period delay is implicit. The reset value is `0x1`.

The `sckcs` field specifies the delay between the last trailing edge of SCK and the deassertion of CS. When `sckmode.pha = 1`, an additional half-period delay is implicit. The reset value is `0x1`.

The `intercs` field specifies the minimum CS inactive time between deassertion and assertion. The reset value is `0x1`.

The `interxfr` field specifies the delay between two consecutive frames without deasserting CS. This is applicable only when `sckmode` is HOLD or OFF. The reset value is `0x0`.

Delay Control Register 0 (<code>delay0</code>)				
Register Offset		0x28		
Bits	Field Name	Attr.	Rst.	Description
[7:0]	<code>cssck</code>	RW	0x1	CS to SCK Delay
[15:8]	Reserved			
[23:16]	<code>sckcs</code>	RW	0x1	SCK to CS Delay
[31:24]	Reserved			

Table 74: Delay Control Register 0

Delay Control Register 1 (<code>delay1</code>)				
Register Offset		0x2C		
Bits	Field Name	Attr.	Rst.	Description
[7:0]	<code>intercs</code>	RW	0x1	Minimum CS inactive time
[15:8]	Reserved			
[23:16]	<code>interxfr</code>	RW	0x0	Maximum interframe delay
[31:24]	Reserved			

Table 75: Delay Control Register 1

19.10 Frame Format Register (`fmt`)

The `fmt` register defines the frame format for transfers initiated through the programmed-I/O (FIFO) interface. Table 77, Table 78, and Table 79 describe the `proto`, `endian`, and `dir` fields, respectively. The `len` field defines the number of bits per frame, where the allowed range is 0 to 8 inclusive.

For flash-enabled SPI controllers, the reset value is `0x0008_0008`, corresponding to `proto = single`, `dir = Tx`, `endian = MSB`, and `len = 8`. For non-flash-enabled SPI controllers, the reset value is `0x0008_0000`, corresponding to `proto = single`, `dir = Rx`, `endian = MSB`, and `len = 8`.

Frame Format Register (fmt)				
Register Offset		0x40		
Bits	Field Name	Attr.	Rst.	Description
[1:0]	proto	RW	0x0	SPI protocol
2	endian	RW	0x0	SPI endianness
3	dir	RW	X	SPI I/O direction. This is reset to 1 for flash-enabled SPI controllers, 0 otherwise.
[15:4]	Reserved			
[19:16]	len	RW	0x8	Number of bits per frame
[31:20]	Reserved			

Table 76: Frame Format Register

Value	Description	Data Pins
0	Single	DQ0 (MOSI), DQ1 (MISO)
1	Dual	DQ0, DQ1
2	Quad	DQ0, DQ1, DQ2, DQ3

Table 77: SPI Protocol. Unused DQ pins are tri-stated.

Value	Description
0	Transmit most-significant bit (MSB) first
1	Transmit least-significant bit (LSB) first

Table 78: SPI Endianness

Value	Description
0	Rx: For dual and quad protocols, the DQ pins are tri-stated. For the single protocol, the DQ0 pin is driven with the transmit data as normal.
1	Tx: The receive FIFO is not populated.

Table 79: SPI I/O Direction

19.11 Transmit Data Register (txdata)

Writing to the `txdata` register loads the transmit FIFO with the value contained in the data field. For `fmt.len < 8`, values should be left-aligned when `fmt.endian = MSB` and right-aligned when `fmt.endian = LSB`.

The full flag indicates whether the transmit FIFO is ready to accept new entries; when set, writes to txdata are ignored. The data field returns 0x0 when read.

Transmit Data Register (txdata)				
Register Offset		0x48		
Bits	Field Name	Attr.	Rst.	Description
[7:0]	data	RW	0x0	Transmit data
[30:8]	Reserved			
31	full	RO	X	FIFO full flag

Table 80: Transmit Data Register

19.12 Receive Data Register (rxdata)

Reading the rxdata register dequeues a frame from the receive FIFO. For `fmt.len < 8`, values are left-aligned when `fmt.endian = MSB` and right-aligned when `fmt.endian = LSB`.

The empty flag indicates whether the receive FIFO contains new entries to be read; when set, the data field does not contain a valid frame. Writes to rxdata are ignored.

Receive Data Register (rxdata)				
Register Offset		0x4C		
Bits	Field Name	Attr.	Rst.	Description
[7:0]	data	RO	X	Received data
[30:8]	Reserved			
31	empty	RW	X	FIFO empty flag

Table 81: Receive Data Register

19.13 Transmit Watermark Register (txmark)

The txmark register specifies the threshold at which the Tx FIFO watermark interrupt triggers. The reset value is 1 for flash-enabled SPI controllers, and 0 for non-flash-enabled SPI controllers.

Transmit Watermark Register (txmark)				
Register Offset		0x50		
Bits	Field Name	Attr.	Rst.	Description
[2:0]	txmark	RW	X	Transmit watermark. The reset value is 1 for flash-enabled controllers, 0 otherwise.
[31:3]	Reserved			

Table 82: Transmit Watermark Register

19.14 Receive Watermark Register (rxmark)

The rxmark register specifies the threshold at which the Rx FIFO watermark interrupt triggers. The reset value is 0x0.

Receive Watermark Register (rxmark)				
Register Offset		0x54		
Bits	Field Name	Attr.	Rst.	Description
[2:0]	rxmark	RW	0x0	Receive watermark
[31:3]	Reserved			

Table 83: Receive Watermark Register

19.15 SPI Interrupt Registers (ie and ip)

The ie register controls which SPI interrupts are enabled, and ip is a read-only register indicating the pending interrupt conditions. ie is reset to zero. See Table 84.

The txwm condition becomes raised when the number of entries in the transmit FIFO is strictly less than the count specified by the txmark register. The pending bit is cleared when sufficient entries have been enqueued to exceed the watermark. See Table 85.

The rxwm condition becomes raised when the number of entries in the receive FIFO is strictly greater than the count specified by the rxmark register. The pending bit is cleared when sufficient entries have been dequeued to fall below the watermark. See Table 85.

SPI Interrupt Enable Register (ie)				
Register Offset		0x70		
Bits	Field Name	Attr.	Rst.	Description
0	txwm	RW	0x0	Transmit watermark enable
1	rxwm	RW	0x0	Receive watermark enable
[31:2]	Reserved			

Table 84: SPI Interrupt Enable Register

SPI Watermark Interrupt Pending Register (ip)				
Register Offset		0x74		
Bits	Field Name	Attr.	Rst.	Description
0	txwm	R0	0x0	Transmit watermark pending
1	rxwm	R0	0x0	Receive watermark pending
[31:2]	Reserved			

Table 85: SPI Watermark Interrupt Pending Register

19.16 SPI Flash Interface Control Register (`fctr1`)

When the `en` bit of the `fctr1` register is set, the controller enters direct memory-mapped SPI flash mode. Accesses to the direct-mapped memory region causes the controller to automatically sequence SPI flash reads in hardware. The reset value is `0x1`. See Table 86.

SPI Flash Interface Control Register (<code>fctr1</code>)				
Register Offset		0x60		
Bits	Field Name	Attr.	Rst.	Description
0	<code>en</code>	RW	0x1	SPI Flash Mode Select
[31:1]	Reserved			

Table 86: SPI Flash Interface Control Register

19.17 SPI Flash Instruction Format Register (`ffmt`)

The `ffmt` register defines the format of the SPI flash read instruction issued by the controller when the direct-mapped memory region is accessed while in SPI flash mode.

An instruction consists of a command byte followed by a variable number of address bytes, dummy cycles (padding), and data bytes. Table 87 describes the function and reset value of each field.

SPI Flash Instruction Format Register (<code>ffmt</code>)				
Register Offset		0x64		
Bits	Field Name	Attr.	Rst.	Description
0	<code>cmd_en</code>	RW	0x1	Enable sending of command
[3:1]	<code>addr_len</code>	RW	0x3	Number of address bytes (0 to 4)
[7:4]	<code>pad_cnt</code>	RW	0x0	Number of dummy cycles
[9:8]	<code>cmd_proto</code>	RW	0x0	Protocol for transmitting command
[11:10]	<code>addr_proto</code>	RW	0x0	Protocol for transmitting address and padding
[13:12]	<code>data_proto</code>	RW	0x0	Protocol for receiving data bytes
[15:14]	Reserved			
[23:16]	<code>cmd_code</code>	RW	0x3	Value of command byte
[31:24]	<code>pad_code</code>	RW	0x0	First 8 bits to transmit during dummy cycles

Table 87: SPI Flash Instruction Format Register

Chapter 20

Pulse Width Modulator (PWM)

This chapter describes the operation of the Pulse-Width Modulation peripheral (PWM).

20.1 PWM Overview

Figure 10 shows an overview of the PWM peripheral. The default configuration described here has four independent PWM comparators (`pwmcmp0–pwmcmp3`), but each PWM Peripheral is parameterized by the number of comparators it has (`ncmp`). The PWM block can generate multiple types of waveforms on output pins (`pwmXgpio`) and can also be used to generate several forms of internal timer interrupt. The comparator results are captured in the `pwmcmpXip` flops and then fed to the PLIC as potential interrupt sources. The `pwmcmpXip` outputs are further processed by an output ganging stage before being fed to the GPIOs.

PWM instances can support comparator precisions (`cmpwidth`) up to 16 bits, with the example described here having the full 16 bits. To support clock scaling, the `pwmcount` register is 15 bits wider than the comparator precision `cmpwidth`.

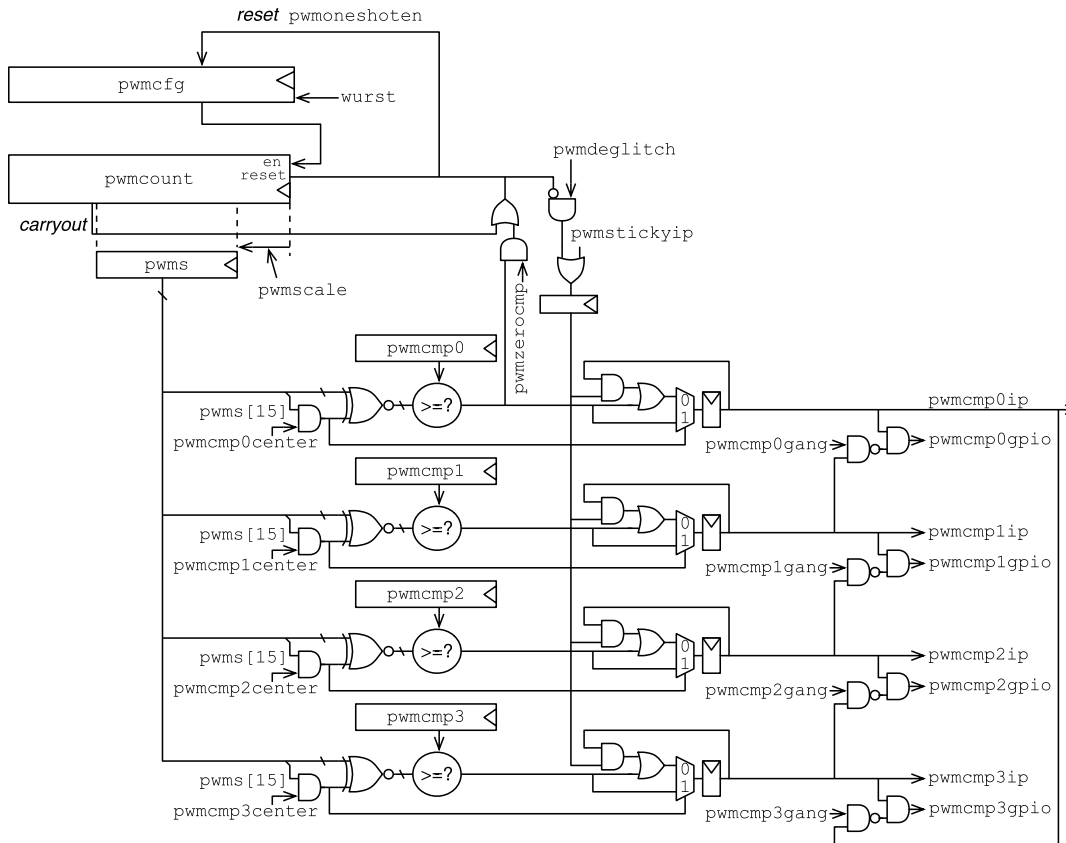


Figure 10: PWM Peripheral

20.2 PWM Instances in FE310-G002

FE310-G002 contains three PWM instances. Their addresses and parameters are shown in Table 88.

Instance Number	Address	ncmp	cmpwidth
0	0x10015000	4	8
1	0x10025000	4	16
2	0x10035000	4	16

Table 88: PWM Instances

20.3 PWM Memory Map

The memory map for the PWM peripheral is shown in Table 89.

Offset	Name	Description
0x00	pwmcfg	PWM configuration register
0x04	Reserved	
0x08	pwmcount	PWM count register
0x0C	Reserved	
0x10	pwms	Scaled PWM count register
0x14	Reserved	
0x18	Reserved	
0x1C	Reserved	
0x20	pwmcmp0	PWM 0 compare register
0x24	pwmcmp1	PWM 1 compare register
0x28	pwmcmp2	PWM 2 compare register
0x2C	pwmcmp3	PWM 3 compare register

Table 89: SiFive PWM memory map, offsets relative to PWM peripheral base address

20.4 PWM Count Register (`pwmcount`)

The PWM unit is based around a counter held in `pwmcount`. The counter can be read or written over the TileLink bus. The `pwmcount` register is $(15 + \text{cmpwidth})$ bits wide. For example, for `cmpwidth` of 16 bits, the counter is held in `pwmcount[30:0]`, and bit 31 of `pwmcount` returns a zero when read.

When used for PWM generation, the counter is normally incremented at a fixed rate then reset to zero at the end of every PWM cycle. The PWM counter is either reset when the scaled counter `pwms` reaches the value in `pwmcmp0`, or is simply allowed to wrap around to zero.

The counter can also be used in one-shot mode, where it disables counting after the first reset.

PWM Count Register (<code>pwmcount</code>)				
Register Offset		0x8		
Bits	Field Name	Attr.	Rst.	Description
[30:0]	<code>pwmcount</code>	RW	X	PWM count register. <code>cmpwidth</code> + 15 bits wide.
31	Reserved			

Table 90: PWM Count Register

20.5 PWM Configuration Register (`pwmcfg`)

PWM Configuration Register (<code>pwmcfg</code>)				
Register Offset		0x0		
Bits	Field Name	Attr.	Rst.	Description
[3:0]	<code>pwm scale</code>	RW	X	PWM Counter scale
[7:4]	Reserved			
8	<code>pwmsticky</code>	RW	X	PWM Sticky - disallow clearing <code>pwmcmpXip</code> bits
9	<code>pwmzerocmp</code>	RW	X	PWM Zero - counter resets to zero after match
10	<code>pwmdeglitch</code>	RW	X	PWM Deglitch - latch <code>pwmcmpXip</code> within same cycle
11	Reserved			
12	<code>pwmalways</code>	RW	0x0	PWM enable always - run continuously
13	<code>pwmone-shot</code>	RW	0x0	PWM enable one shot - run one cycle
[15:14]	Reserved			
16	<code>pwmcmp0center</code>	RW	X	PWM0 Compare Center
17	<code>pwmcmp1center</code>	RW	X	PWM1 Compare Center
18	<code>pwmcmp2center</code>	RW	X	PWM2 Compare Center
19	<code>pwmcmp3center</code>	RW	X	PWM3 Compare Center
[23:20]	Reserved			
24	<code>pwmcmp0gang</code>	RW	X	PWM0/PWM1 Compare Gang
25	<code>pwmcmp1gang</code>	RW	X	PWM1/PWM2 Compare Gang
26	<code>pwmcmp2gang</code>	RW	X	PWM2/PWM3 Compare Gang
27	<code>pwmcmp3gang</code>	RW	X	PWM3/PWM0 Compare Gang
28	<code>pwmcmp0ip</code>	RW	X	PWM0 Interrupt Pending
29	<code>pwmcmp1ip</code>	RW	X	PWM1 Interrupt Pending
30	<code>pwmcmp2ip</code>	RW	X	PWM2 Interrupt Pending
31	<code>pwmcmp3ip</code>	RW	X	PWM3 Interrupt Pending

Table 91: PWM Configuration Register

The `pwmcfg` register contains various control and status information regarding the PWM peripheral, as shown in Table 91.

The `pwm*` bits control the conditions under which the PWM counter `pwmcount` is incremented. The counter increments by one each cycle only if any of the enabled conditions are true.

If the `pwmalways` bit is set, the PWM counter increments continuously. When `pwmone-shot` is set, the counter can increment but `pwmone-shot` is reset to zero once the counter resets, disabling further counting (unless `pwmalways` is set). The `pwmone-shot` bit provides a way for software to generate a single PWM cycle then stop. Software can set the `pwmone-shot` again at any time to replay the one-shot waveform. The `pwm*` bits are reset at wakeup reset, which disables the PWM counter and saves power.

The 4-bit `pwmScale` field scales the PWM counter value before feeding it to the PWM comparators. The value in `pwmScale` is the bit position within the `pwmcount` register of the start of a `cmpwidth`-bit `pwms` field. A value of 0 in `pwmScale` indicates no scaling, and `pwms` would then be equal to the low `cmpwidth` bits of `pwmcount`. The maximum value of 15 in `pwmScale` corresponds to dividing the clock rate by 2^{15} , so for an input bus clock of 16 MHz, the LSB of `pwms` will increment at 488.3 Hz.

The `pwmzeromp` bit, if set, causes the PWM counter `pwmcount` to be automatically reset to zero one cycle after the `pwms` counter value matches the compare value in `pwmcmp0`. This is normally used to set the period of the PWM cycle. This feature can also be used to implement periodic counter interrupts, where the period is independent of interrupt service time.

20.6 Scaled PWM Count Register (`pwms`)

The Scaled PWM Count Register `pwms` reports the `cmpwidth`-bit portion of `pwmcount` which starts at `pwmScale`, and is what is used for comparison against the `pwmcmp` registers.

Scaled PWM Count Register (<code>pwms</code>)				
Register Offset		0x10		
Bits	Field Name	Attr.	Rst.	Description
[15:0]	<code>pwms</code>	RW	X	Scaled PWM count register. <code>cmpwidth</code> bits wide.
[31:16]	Reserved			

Table 92: Scaled PWM Count Register

20.7 PWM Compare Registers (`pwmcmp0`–`pwmcmp3`)

PWM 0 Compare Register (<code>pwmcmp0</code>)				
Register Offset		0x20		
Bits	Field Name	Attr.	Rst.	Description
[15:0]	<code>pwmcmp0</code>	RW	X	PWM 0 Compare Value
[31:16]	Reserved			

Table 93: PWM 0 Compare Register

PWM 1 Compare Register (<code>pwmcmp1</code>)				
Register Offset		0x24		
Bits	Field Name	Attr.	Rst.	Description
[15:0]	<code>pwmcmp1</code>	RW	X	PWM 1 Compare Value
[31:16]	Reserved			

Table 94: PWM 1 Compare Register

PWM 2 Compare Register (pwmcmp2)				
Register Offset		0x28		
Bits	Field Name	Attr.	Rst.	Description
[15:0]	pwmcmp2	RW	X	PWM 2 Compare Value
[31:16]	Reserved			

Table 95: PWM 2 Compare Register

PWM 3 Compare Register (pwmcmp3)				
Register Offset		0x2C		
Bits	Field Name	Attr.	Rst.	Description
[15:0]	pwmcmp3	RW	X	PWM 3 Compare Value
[31:16]	Reserved			

Table 96: PWM 3 Compare Register

The primary use of the `ncmp` PWM compare registers is to define the edges of the PWM waveforms within the PWM cycle.

Each compare register is a `cmpwidth`-bit value against which the current `pwms` value is compared every cycle. The output of each comparator is high whenever the value of `pwms` is greater than or equal to the corresponding `pwmcmp X` .

If the `pwmzerocmp` bit is set, when `pwms` reaches or exceeds `pwmcmp0`, `pwmcount` is cleared to zero and the current PWM cycle is completed. Otherwise, the counter is allowed to wrap around.

20.8 Deglitch and Sticky Circuitry

To avoid glitches in the PWM waveforms when changing `pwmcmp X` register values, the `pwmdeglitch` bit in `pwmcfg` can be set to capture any high output of a PWM comparator in a sticky bit (`pwmcmp X ip` for comparator X) and prevent the output falling again within the same PWM cycle. The `pwmcmp X ip` bits are only allowed to change at the start of the next PWM cycle.

Note

The `pwmcmp0ip` bit will only be high for one cycle when `pwmdeglitch` and `pwmzerocmp` are set where `pwmcmp0` is used to define the PWM cycle, but can be used as a regular PWM edge otherwise.

If `pwmdeglitch` is set, but `pwmzerocmp` is clear, the deglitch circuit is still operational but is now triggered when `pwms` contains all 1s and will cause a carry out of the high bit of the `pwms` incrementer just before the counter wraps to zero.

The `pwmsticky` bit disallows the `pwmcmpXip` registers from clearing if they are already set and is used to ensure interrupts are seen from the `pwmcmpXip` bits.

20.9 Generating Left- or Right-Aligned PWM Waveforms

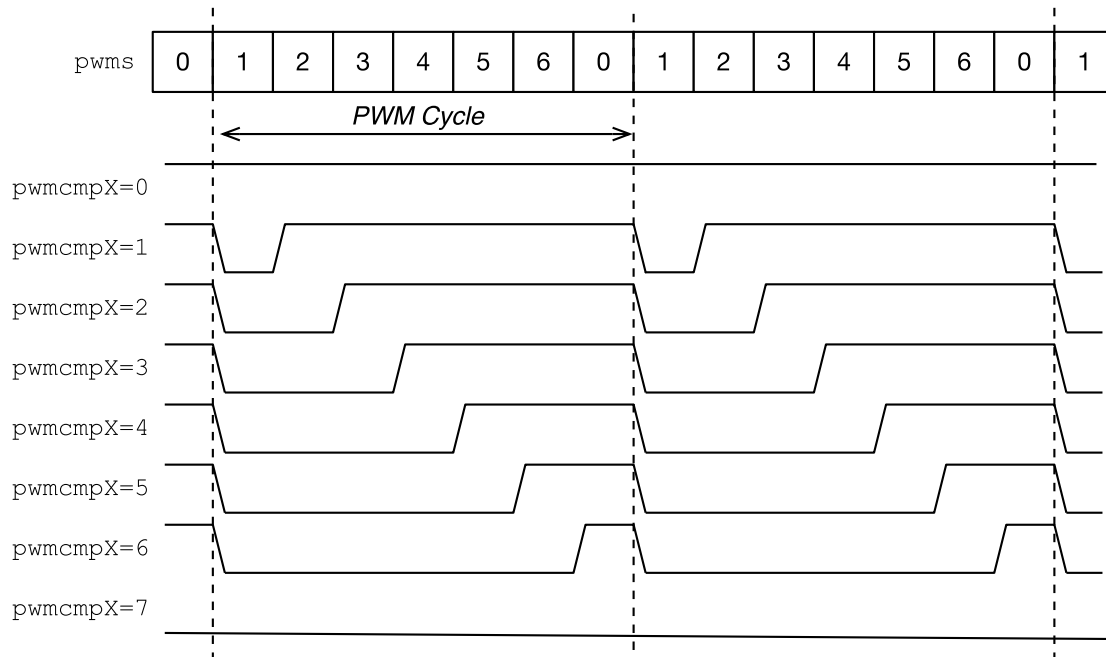


Figure 11: Basic right-aligned PWM waveforms. All possible base waveforms are shown for a 7-clock PWM cycle (`pwncmp0=6`). The waveforms show the single-cycle delay caused by registering the comparator outputs in the `pwncmpXip` bits. The signals can be inverted at the GPIOs to generate left-aligned waveforms.

Figure 11 shows the generation of various base PWM waveforms. The figure illustrates that if `pwncmp0` is set to less than the maximum count value (6 in this case), it is possible to generate both 100% (`pwncmpX = 0`) and 0% (`pwncmpX > pwncmp0`) right-aligned duty cycles using the other comparators. The `pwncmpXip` bits are routed to the GPIO pads, where they can be optionally and individually inverted, thereby creating left-aligned PWM waveforms (high at beginning of cycle).

20.10 Generating Center-Aligned (Phase-Correct) PWM Waveforms

The simple PWM waveforms in Figure 11 shift the phase of the waveform along with the duty cycle. A per-comparator `pwncmpXcenter` bit in `pwncfg` allows a single PWM comparator to generate a center-aligned symmetric duty-cycle as shown in Figure 12. The `pwncmpXcenter` bit changes the comparator to compare with the bitwise inverted `pwnms` value whenever the MSB of `pwnms` is high.

This technique provides symmetric PWM waveforms but only when the PWM cycle is at the largest supported size. At a 16 MHz bus clock rate with 16-bit precision, this limits the fastest PWM cycle to 244 Hz, or 62.5 kHz with 8-bit precision. Higher bus clock rates allow proportionally faster PWM cycles using the single comparator center-aligned waveforms. This technique also reduces the effective width resolution by a factor of 2.

pwms	pwmscenter
000	000
001	001
010	010
011	011
100	011
101	010
110	001
111	000

Table 97: Illustration of how count value is inverted before presentation to comparator when `pwmcmpXcenter` is selected, using a 3-bit `pwms` value.

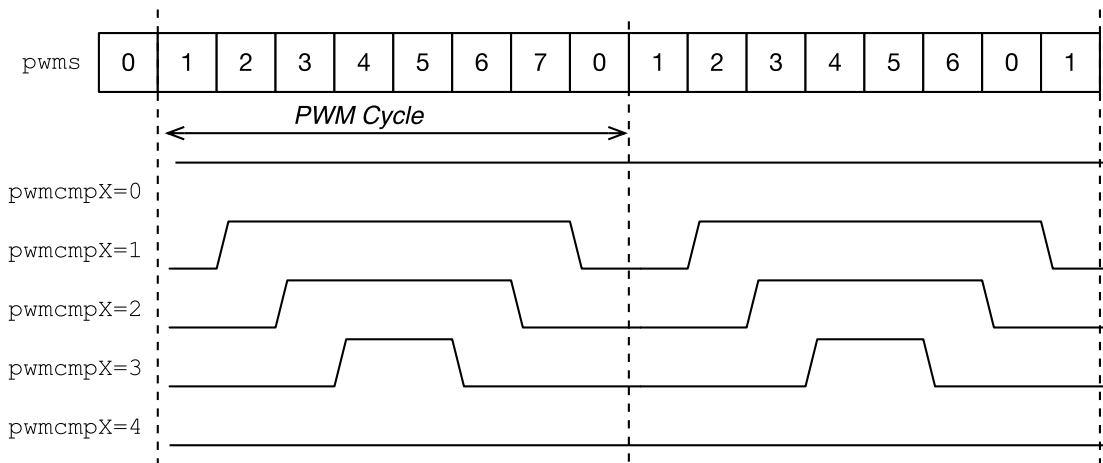


Figure 12: Center-aligned PWM waveforms generated from one comparator. All possible waveforms are shown for a 3-bit PWM precision. The signals can be inverted at the GPIOs to generate opposite-phase waveforms.

When a comparator is operating in center mode, the deglitch circuit allows one 0-to-1 transition during the first half of the cycle and one 1-to-0 transition during the second half of the cycle.

20.11 Generating Arbitrary PWM Waveforms using Ganging

A comparator can be ganged together with its next-highest-numbered neighbor to generate arbitrary PWM pulses. When the `pwmcmpXgang` bit is set, comparator `X` fires and raises its `pwmXgpio` signal. When comparator `X + 1` (or `pwmcmp0` for `pwmcmp3`) fires, the `pwmXgpio` output is reset to zero.

20.12 Generating One-Shot Waveforms

The PWM peripheral can be used to generate precisely timed one-shot pulses by first initializing the other parts of `pwmcfg` then writing a 1 to the `pwmnoneshot` bit. The counter will run for one PWM cycle, then once a reset condition occurs, the `pwmnoneshot` bit is reset in hardware to prevent a second cycle.

20.13 PWM Interrupts

The PWM can be configured to provide periodic counter interrupts by enabling auto-zeroing of the count register when a comparator 0 fires (`pwmzerocmp=1`). The `pwmsticky` bit should also be set to ensure interrupts are not forgotten while waiting to run a handler.

The interrupt pending bits `pwmcmpiip` can be cleared down using writes to the `pwmcfg` register.

The PWM peripheral can also be used as a regular timer with no counter reset (`pwmzerocmp=0`), where the comparators are now used to provide timer interrupts.

Chapter 21

Inter-Integrated Circuit (I²C) Master Interface

The SiFive Inter-Integrated Circuit (I²C) Master Interface is based on OpenCores® I²C Master Core.

Download the original documentation at <https://opencores.org/project,i2c>.

All I²C control register addresses are 4-byte aligned.

21.1 I²C Instance in FE310-G002

FE310-G002 contains one I²C instance. Its address is shown in Table 98.

Instance Number	Address
0	0x10016000

Table 98: I²C Instance

Chapter 22

Debug

This chapter describes the operation of SiFive debug hardware, which follows *The RISC-V Debug Specification 0.13*. Currently only interactive debug and hardware breakpoints are supported.

22.1 Debug CSRs

This section describes the per-hart trace and debug registers (TDRs), which are mapped into the CSR space as follows:

CSR Name	Description	Allowed Access Modes
tselect	Trace and debug register select	D, M
tdata1	First field of selected TDR	D, M
tdata2	Second field of selected TDR	D, M
tdata3	Third field of selected TDR	D, M
dcsr	Debug control and status register	D
dpc	Debug PC	D
dscratch	Debug scratch register	D

Table 99: Debug Control and Status Registers

The dcsr, dpc, and dscratch registers are only accessible in debug mode, while the tselect and tdata1-3 registers are accessible from either debug mode or machine mode.

22.1.1 Trace and Debug Register Select (tselect)

To support a large and variable number of TDRs for tracing and breakpoints, they are accessed through one level of indirection where the tselect register selects which bank of three tdata1-3 registers are accessed via the other three addresses.

The tselect register has the format shown below:

Trace and Debug Select Register			
CSR	tselect		
Bits	Field Name	Attr.	Description
[31:0]	index	WARL	Selection index of trace and debug registers

Table 100: tselect CSR

The index field is a **WARL** field that does not hold indices of unimplemented TDRs. Even if index can hold a TDR index, it does not guarantee the TDR exists. The type field of tdata1 must be inspected to determine whether the TDR exists.

22.1.2 Trace and Debug Data Registers (tdata1-3)

The tdata1-3 registers are XLEN-bit read/write registers selected from a larger underlying bank of TDR registers by the tselect register.

Trace and Debug Data Register 1			
CSR	tdata1		
Bits	Field Name	Attr.	Description
[27:0]	TDR-Specific Data		
[31:28]	type	RO	Type of the trace & debug register selected by tselect

Table 101: tdata1 CSR

Trace and Debug Data Registers 2 and 3			
CSR	tdata2/3		
Bits	Field Name	Attr.	Description
[31:0]	TDR-Specific Data		

Table 102: tdata2/3 CSRs

The high nibble of tdata1 contains a 4-bit type code that is used to identify the type of TDR selected by tselect. The currently defined types are shown below:

Type	Description
0	No such TDR register
1	Reserved
2	Address/Data Match Trigger
≥ 3	Reserved

Table 103: tdata Types

The dmode bit selects between debug mode (dmode=0) and machine mode (dmode=1) views of the registers, where only debug mode code can access the debug mode view of the TDRs. Any

attempt to read/write the tdata1-3 registers in machine mode when dmode=1 raises an illegal instruction exception.

22.1.3 Debug Control and Status Register (dcsr)

This register gives information about debug capabilities and status. Its detailed functionality is described in *The RISC-V Debug Specification 0.13*.

22.1.4 Debug PC dpc

When entering debug mode, the current PC is copied here. When leaving debug mode, execution resumes at this PC.

22.1.5 Debug Scratch dscratch

This register is generally reserved for use by Debug ROM in order to save registers needed by the code in Debug ROM. The debugger may use it as described in *The RISC-V Debug Specification 0.13*.

22.2 Breakpoints

The FE310-G002 supports eight hardware breakpoint registers per hart, which can be flexibly shared between debug mode and machine mode.

When a breakpoint register is selected with tselect, the other CSRs access the following information for the selected breakpoint:

CSR Name	Breakpoint Alias	Description
tselect	tselect	Breakpoint selection index
tdata1	mcontrol	Breakpoint match control
tdata2	maddress	Breakpoint match address
tdata3	N/A	Reserved

Table 104: TDR CSRs when used as Breakpoints

22.2.1 Breakpoint Match Control Register mcontrol

Each breakpoint control register is a read/write register laid out in Table 105.

Breakpoint Control Register (mcontrol)				
Register Offset		CSR		
Bits	Field Name	Attr.	Rst.	Description
0	R	WARL	X	Address match on LOAD
1	W	WARL	X	Address match on STORE
2	X	WARL	X	Address match on Instruction FETCH
3	U	WARL	X	Address match on User Mode
4	S	WARL	X	Address match on Supervisor Mode
5	Reserved	WPRI	X	Reserved
6	M	WARL	X	Address match on Machine Mode
[10:7]	match	WARL	X	Breakpoint Address Match type
11	chain	WARL	0	Chain adjacent conditions.
[17:12]	action	WARL	0	Breakpoint action to take. 0 or 1.
18	timing	WARL	0	Timing of the breakpoint. Always 0.
19	select	WARL	0	Perform match on address or data. Always 0.
20	Reserved	WPRI	X	Reserved
[26:21]	maskmax	RO	4	Largest supported NAPOT range
27	dmode	RW	0	Debug-Only access mode
[31:28]	type	RO	2	Address/Data match type, always 2

Table 105: Test and Debug Data Register 3

The type field is a 4-bit read-only field holding the value 2 to indicate this is a breakpoint containing address match logic.

The `bpaction` field is an 8-bit read-write **WARL** field that specifies the available actions when the address match is successful. The value 0 generates a breakpoint exception. The value 1 enters debug mode. Other actions are not implemented.

The R/W/X bits are individual **WARL** fields, and if set, indicate an address match should only be successful for loads/stores/instruction fetches, respectively, and all combinations of implemented bits must be supported.

The M/S/U bits are individual **WARL** fields, and if set, indicate that an address match should only be successful in the machine/supervisor/user modes, respectively, and all combinations of implemented bits must be supported.

The match field is a 4-bit read-write **WARL** field that encodes the type of address range for breakpoint address matching. Three different match settings are currently supported: exact, NAPOT, and arbitrary range. A single breakpoint register supports both exact address matches and matches with address ranges that are naturally aligned powers-of-two (NAPOT) in size. Breakpoint registers can be paired to specify arbitrary exact ranges, with the lower-numbered breakpoint register giving the byte address at the bottom of the range and the higher-numbered

breakpoint register giving the address 1 byte above the breakpoint range, and using the `chain` bit to indicate both must match for the action to be taken.

NAPOT ranges make use of low-order bits of the associated breakpoint address register to encode the size of the range as follows:

maddress	Match type and size
a...aaaaaa	Exact 1 byte
a...aaaaa0	2-byte NAPOT range
a...aaaa01	4-byte NAPOT range
a...aaa011	8-byte NAPOT range
a...aa0111	16-byte NAPOT range
a...a01111	32-byte NAPOT range
...	...
a01...1111	2^{31} -byte NAPOT range

Table 106: NAPOT Size Encoding

The `maskmax` field is a 6-bit read-only field that specifies the largest supported NAPOT range. The value is the logarithm base 2 of the number of bytes in the largest supported NAPOT range. A value of 0 indicates that only exact address matches are supported (1-byte range). A value of 31 corresponds to the maximum NAPOT range, which is 2^{31} bytes in size. The largest range is encoded in `maddress` with the 30 least-significant bits set to 1, bit 30 set to 0, and bit 31 holding the only address bit considered in the address comparison.

To provide breakpoints on an exact range, two neighboring breakpoints can be combined with the `chain` bit. The first breakpoint can be set to match on an address using `action` of 2 (greater than or equal). The second breakpoint can be set to match on address using `action` of 3 (less than). Setting the `chain` bit on the first breakpoint prevents the second breakpoint from firing unless they both match.

22.2.2 Breakpoint Match Address Register (`maddress`)

Each breakpoint match address register is an XLEN-bit read/write register used to hold significant address bits for address matching and also the unary-encoded address masking information for NAPOT ranges.

22.2.3 Breakpoint Execution

Breakpoint traps are taken precisely. Implementations that emulate misaligned accesses in software will generate a breakpoint trap when either half of the emulated access falls within the address range. Implementations that support misaligned accesses in hardware must trap if any byte of an access falls within the matching range.

Debug-mode breakpoint traps jump to the debug trap vector without altering machine-mode registers.

Machine-mode breakpoint traps jump to the exception vector with "Breakpoint" set in the `mcause` register and with `badaddr` holding the instruction or data address that caused the trap.

22.2.4 Sharing Breakpoints Between Debug and Machine Mode

When debug mode uses a breakpoint register, it is no longer visible to machine mode (that is, the `tdrtype` will be 0). Typically, a debugger will leave the breakpoints alone until it needs them, either because a user explicitly requested one or because the user is debugging code in ROM.

22.3 Debug Memory Map

This section describes the debug module's memory map when accessed via the regular system interconnect. The debug module is only accessible to debug code running in debug mode on a hart (or via a debug transport module).

22.3.1 Debug RAM and Program Buffer (0x300–0x3FF)

The FE310-G002 has 16 32-bit words of program buffer for the debugger to direct a hart to execute arbitrary RISC-V code. Its location in memory can be determined by executing `aiupc` instructions and storing the result into the program buffer.

The FE310-G002 has one 32-bit words of debug data RAM. Its location can be determined by reading the `DMHARTINFO` register as described in the RISC-V Debug Specification. This RAM space is used to pass data for the Access Register abstract command described in the RISC-V Debug Specification. The FE310-G002 supports only general-purpose register access when harts are halted. All other commands must be implemented by executing from the debug program buffer.

In the FE310-G002, both the program buffer and debug data RAM are general-purpose RAM and are mapped contiguously in the Core Complex memory space. Therefore, additional data can be passed in the program buffer, and additional instructions can be stored in the debug data RAM.

Debuggers must not execute program buffer programs that access any debug module memory except defined program buffer and debug data addresses.

The FE310-G002 does not implement the `DMSTATUS.anyhavereset` or `DMSTATUS.allhavereset` bits.

22.3.2 Debug ROM (0x800–0xFFF)

This ROM region holds the debug routines on SiFive systems. The actual total size may vary between implementations.

22.3.3 Debug Flags (0x100–0x110, 0x400–0x7FF)

The flag registers in the debug module are used for the debug module to communicate with each hart. These flags are set and read used by the debug ROM and should not be accessed by any program buffer code. The specific behavior of the flags is not further documented here.

22.3.4 Safe Zero Address

In the FE310-G002, the debug module contains the address 0x0 in the memory map. Reads to this address always return 0, and writes to this address have no impact. This property allows a "safe" location for unprogrammed parts, as the default mtvec location is 0x0.

Chapter 23

Debug Interface

The SiFive FE310-G002 includes the JTAG debug transport module (DTM) described in *The RISC-V Debug Specification 0.13*. This enables a single external industry-standard 1149.1 JTAG interface to test and debug the system. The JTAG interface is directly connected to input pins.

23.1 JTAG TAPC State Machine

The JTAG controller includes the standard TAPC state machine shown in Figure 13. The state machine is clocked with TCK. All transitions are labelled with the value on TMS, except for the arc showing asynchronous reset when TRST=0.

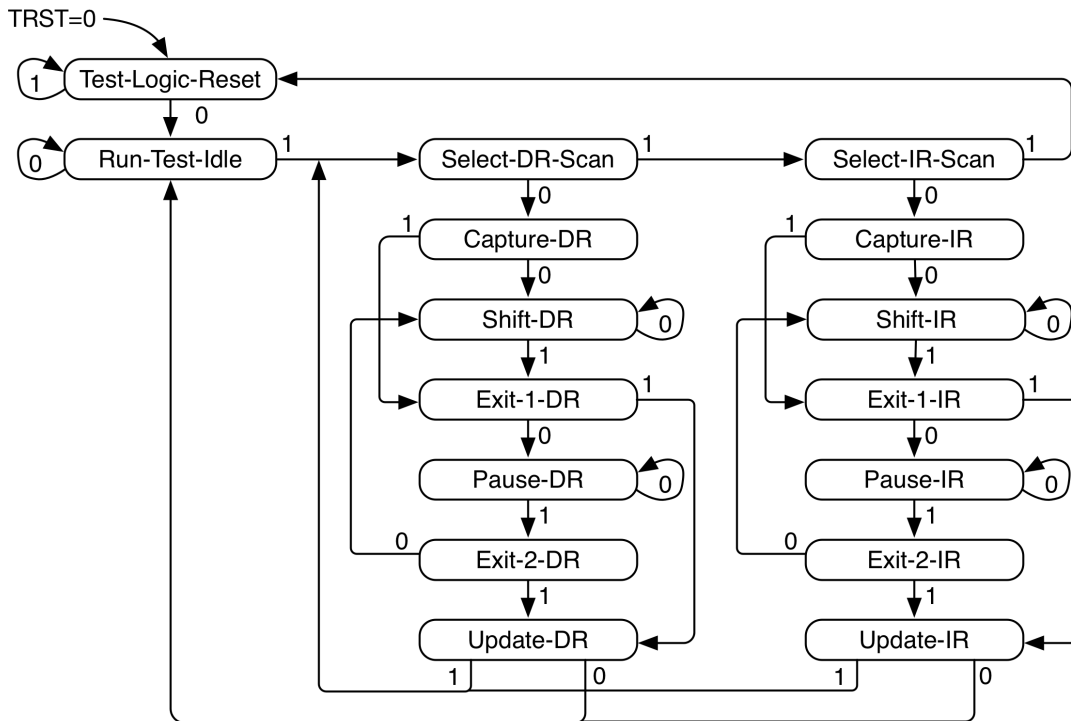


Figure 13: JTAG TAPC state machine.

23.2 Resetting JTAG Logic

The JTAG logic must be asynchronously reset by asserting the power-on-reset signal. This drives an internal `jtag_reset` signal.

Asserting `jtag_reset` resets both the JTAG DTM and debug module test logic. Because parts of the debug logic require synchronous reset, the `jtag_reset` signal is synchronized inside the FE310-G002.

During operation, the JTAG DTM logic can also be reset without `jtag_reset` by issuing 5 `jtag_TCK` clock ticks with `jtag_TMS` asserted. This action resets only the JTAG DTM, not the debug module.

23.3 JTAG Clocking

The JTAG logic always operates in its own clock domain clocked by `jtag_TCK`. The JTAG logic is fully static and has no minimum clock frequency. The maximum `jtag_TCK` frequency is part-specific.

23.4 JTAG Standard Instructions

The JTAG DTM implements the BYPASS and IDCODE instructions.

On the FE310-G002, the IDCODE is set to 0x20000913.

23.5 JTAG Debug Commands

The JTAG DEBUG instruction gives access to the SiFive debug module by connecting the debug scan register between `jtag_TDI` and `jtag_TDO`.

The debug scan register includes a 2-bit opcode field, a 7-bit debug module address field, and a 32-bit data field to allow various memory-mapped read/write operations to be specified with a single scan of the debug scan register.

These are described in *The RISC-V Debug Specification 0.13*.

Chapter 24

References

Visit the SiFive forums for support and answers to frequently asked questions:
<https://forums.sifive.com>

[1] A. Waterman and K. Asanovic, Eds., The RISC-V Instruction Set Manual, Volume I: User-Level ISA, Version 2.2, May 2017. [Online]. Available: <https://riscv.org/specifications/>

[2] —, The RISC-V Instruction Set Manual Volume II: Privileged Architecture Version 1.10, May 2017. [Online]. Available: <https://riscv.org/specifications/>